

Rack Installation Guide

Guide d'installation du rack

Rack-Installationsanleitung

ラック取り付けガイド

Guía de instalación del rack



Rack Installation Guide



Notes, Notices, and Cautions



NOTE: A NOTE indicates important information that helps you make better use of your computer.



NOTICE: A NOTICE indicates either potential damage to hardware or loss of data and tells you how to avoid the problem.



CAUTION: A CAUTION indicates a potential for property damage, personal injury, or death.

Information in this document is subject to change without notice.

© 2007 Dell Inc. All rights reserved.

Reproduction in any manner whatsoever without the written permission of Dell Inc. is strictly forbidden.

Trademarks used in this text: *Dell*, the *DELL* logo, *RapidRails*, and *VersaRails* are trademarks of Dell Inc.

Other trademarks and trade names may be used in this document to refer to either the entities claiming the marks and names or their products. Dell Inc. disclaims any proprietary interest in trademarks and trade names other than its own.

Contents

Safety Instructions	5
SAFETY: Rack Mounting of Systems	5
General Installation Instructions	6
Before You Begin	7
Important Safety Information	7
Rack Requirements for VersaRails	7
Rack Stabilizer Feet	8
Installation Tasks	8
Recommended Tools and Supplies	8
RapidRails Rack Kit Contents	9
VersaRails Rack Kit Contents	10
Removing the Rack Doors	11
Marking the Rack	11
Installing the RapidRails Assemblies	14
Installing the VersaRails Assemblies	16
Installing the System in the Rack	18
Routing and Managing Cables	20
Installing the Strain-Relief Bar	20
Connecting and Bundling the Cables	22
Replacing the Rack Doors	24
Index	25

Safety Instructions

Use the following safety guidelines to ensure your own personal safety and to help protect your system and working environment from potential damage. For complete safety and regulatory information, see the *Product Information Guide* that shipped with your system. Warranty information might be included in this document or as a separate document.

SAFETY: Rack Mounting of Systems

Observe the following precautions for rack stability and safety. Also refer to the rack installation documentation accompanying the system and the rack for specific caution statements and procedures.

Systems are considered to be components in a rack. Thus, "component" refers to any system as well as to various peripherals or supporting hardware.

 **CAUTION: Before installing systems in a rack, install front and side stabilizers on stand-alone racks or the front stabilizer on racks joined to other racks. Failure to install stabilizers accordingly before installing systems in a rack could cause the rack to tip over, potentially resulting in bodily injury under certain circumstances. Therefore, always install the stabilizer(s) before installing components in the rack.**

After installing system/components in a rack, never pull more than one component out of the rack on its slide assemblies at one time. The weight of more than one extended component could cause the rack to tip over and may result in serious injury.



NOTE: Your system is safety-certified as a free-standing unit and as a component for use in a Dell™ rack cabinet using the customer rack kit. The installation of your system and rack kit in any other rack cabinet has not been approved by any safety agencies. It is your responsibility to ensure that the final combination of system and rack complies with all applicable safety standards and local electric code requirements. Dell disclaims all liability and warranties in connection with such combinations.

- System rack kits are intended to be installed in a rack by trained service technicians. If you install the kit in any other rack, be sure that the rack meets the specifications of a Dell rack.



CAUTION: Do not move racks by yourself. Due to the height and weight of the rack, a minimum of two people should accomplish this task.

- Before working on the rack, make sure that the stabilizers are secured to the rack, extended to the floor, and that the full weight of the rack rests on the floor. Install front and side stabilizers on a single rack or front stabilizers for joined multiple racks before working on the rack.
- Always load the rack from the bottom up, and load the heaviest item in the rack first.
- Make sure that the rack is level and stable before extending a component from the rack.
- Use caution when pressing the component rail release latches and sliding a component into or out of a rack; the slide rails can pinch your fingers.
- Do not overload the AC supply branch circuit that provides power to the rack. The total rack load should not exceed 80 percent of the branch circuit rating.
- Ensure that proper airflow is provided to components in the rack.
- Do not step on or stand on any component when servicing other components in a rack.

General Installation Instructions

This installation guide provides instructions for trained service technicians installing one or more systems in a rack cabinet. The RapidRails™ configuration can be installed without tools in manufacturer's rack cabinets that have square holes; the VersaRails™ configuration can be installed in most industry-standard rack cabinets that have square or round holes. One rack kit is required for each system to be installed in the rack cabinet.

Before You Begin

Before you begin installing your system in the rack, carefully read "Safety Instructions" on page 5, as well as the safety instructions found in your *Product Information Guide* for additional information.



CAUTION: When installing multiple systems in a rack, complete all of the procedures for the current system before attempting to install the next system.



CAUTION: Rack cabinets can be extremely heavy and move easily on their casters. They do not have brakes. Use extreme caution while moving the rack cabinet. Retract the leveling feet when relocating the rack cabinet. Avoid long or steep inclines or ramps where loss of cabinet control may occur. Extend the leveling feet for support and to prevent the cabinet from rolling.



NOTE: For instructions on installing the system itself, see "Installing the System in the Rack" on page 18.

Important Safety Information

Observe the safety precautions in the following subsections when installing your system in the rack.



CAUTION: You must strictly follow the procedures in this document to protect yourself as well as others who may be involved. Your system may be very large and heavy and proper preparation and planning are important to prevent injury to yourself and to others. This precaution becomes increasingly important when systems are installed high up in the rack.



CAUTION: Do not install rack kit components designed for another system. Use only the rack kit for your system. Using the rack kit for another system may result in damage to the system and personal injury to yourself and to others.

Rack Requirements for VersaRails



NOTICE: The VersaRails rack kit is intended to be installed by trained service technicians in a rack that meets the specifications of the Consumer Electronics Association (CEA) standard CEA-310-E, International Electrotechnical Commission (IEC) 297, and Deutsche Industrie Norm (DIN) 41494. One rack kit is required for each system that is installed in a rack.

Rack Stabilizer Feet



CAUTION: Before installing systems in a rack, install front and side stabilizers on stand-alone racks or the front stabilizer on racks joined to other racks. Failure to install stabilizers accordingly before installing systems in a rack could cause the rack to tip over, potentially resulting in bodily injury under certain circumstances. Therefore, always install the stabilizer(s) before installing components in the rack.

The stabilizer feet help prevent the rack from tipping over. See the documentation provided with the rack cabinet for instructions on installing and anchoring the stabilizer feet.

Installation Tasks

Installing a rack kit involves performing the following tasks in their numbered order:

- 1 Removing the rack doors
- 2 Marking the rack (if necessary)
- 3 Installing the rail assemblies in the rack:
 - RapidRails installation
 - VersaRails installation
- 4 Installing the system in the rack
- 5 Routing and managing data cables
 - Installing the strain-relief bar
 - Using the I/O cable enumerators
- 6 Replacing the rack doors

Recommended Tools and Supplies

- A #2 Phillips screwdriver
- Masking tape or a felt-tip pen, for use in marking the mounting holes to be used
- A measuring ruler or tape measure

RapidRails Rack Kit Contents

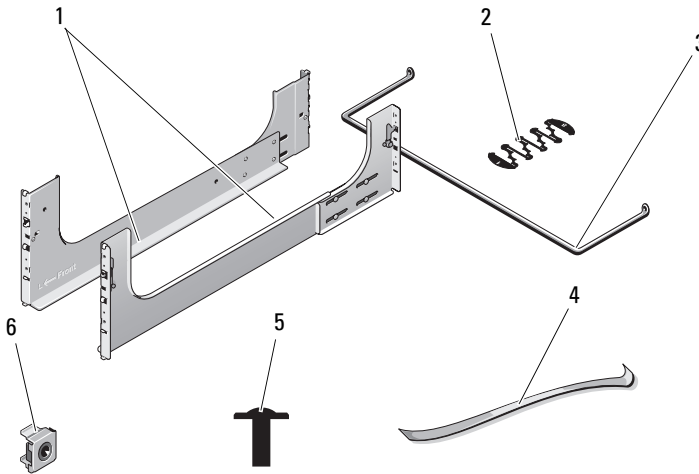
The RapidRails rack kit includes the following items (see Figure 1-1):

- One pair of RapidRails assemblies
- One strain-relief bar
- Cage nuts (2)
- I/O cable enumerators (12)
- Velcro tie wraps (15)
- Four 10-32 x 0.5-inch flange-head Phillips screw



NOTE: Each rack kit contains the maximum number of Velcro tie wraps and I/O cable enumerators that you will need for a fully loaded system.

Figure 1-1. RapidRails Rack Kit Contents




1	RapidRails assemblies	2	I/O cable enumerators (12)	3	strain-relief bar
4	Velcro tie wraps (15)	5	flange-head 10-32 x 0.5-inch Phillips screws (4)	6	cage nuts (2)

VersaRails Rack Kit Contents

The VersaRails rack kit includes the following items (see Figure 1-2):

- One pair of VersaRails assemblies
- One strain-relief bar
- Clip nuts (2)
- I/O cable enumerators (12)
- Velcro tie wraps (15)
- Twelve 10-32 x 0.5-inch flange-head Phillips screws

 **NOTE:** Each rack kit contains the maximum number of Velcro tie wraps and I/O cable enumerators you will need for a fully loaded system.


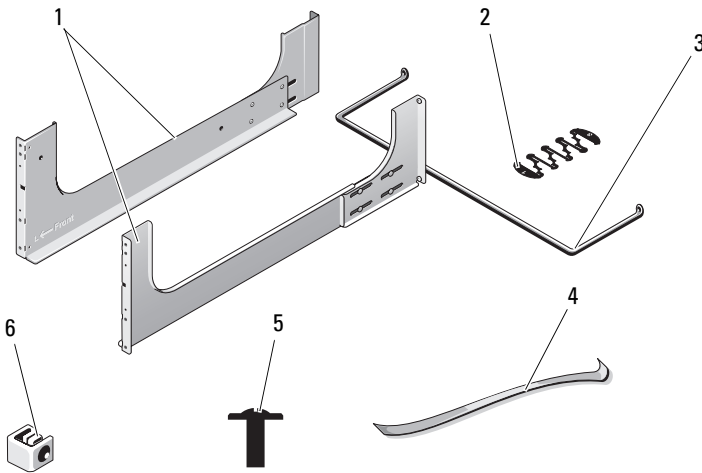
 **NOTE:** Nonmetric screws are identified in this document by size and number of threads per inch. For example, a #10 Phillips-head screw with 32 threads per inch is identified as a 10-32 screw.

Figure 1-2. VersaRails Rack Kit Contents



1	VersaRails assemblies	2	I/O cable enumerators (12)	3	strain-relief bar
4	Velcro tie wraps (15)	5	flange-head 10-32 x 0.5-inch Phillips screws (12)	6	clip nuts (2)

Removing the Rack Doors

See the procedures for removing doors in the documentation provided with your rack cabinet.



CAUTION: Because of the size and weight of the rack cabinet doors, never attempt to remove or install them by yourself.



CAUTION: Store the two doors where they will not injure someone if the doors accidentally fall over.

Marking the Rack

You must allow 10 U (44.45 cm or 17.5 inches) of vertical space for each system you install in the rack (see Figure 1-3).



NOTE: Your rack may already be marked and not require this procedure.



CAUTION: If you are installing more than one system, install the rail assemblies so that the first system is installed in the lowest available position in the rack.

- 1 Place a mark on the rack's front vertical rails where you want to locate the bottom of the system you are installing in the rack cabinet.

The bottom of each 1-U space is at the middle of the narrowest metal area between holes (marked with a horizontal line on some rack cabinets, see Figure 1-3).

Figure 1-3. One Rack Unit



- 2 Mark the rack's front vertical rails with a felt-tipped pen or masking tape approximately 44.45 cm (17.5 inches) above the original mark you made (or count up 30 holes in a rack that meets CEA-310-E standards). (If you counted holes, place a mark just above the top hole.) This mark or piece of tape indicates where the system's upper edge will be located on the vertical rails (see Figure 1-4).

Figure 1-4. Marking the Vertical Rails



1 tape on vertical rails

Installing the RapidRails Assemblies

- 1 At the front of the rack cabinet, position one of the RapidRails assemblies so that its mounting-bracket flange fits in the appropriate location on the rack (see Figure 1-5).

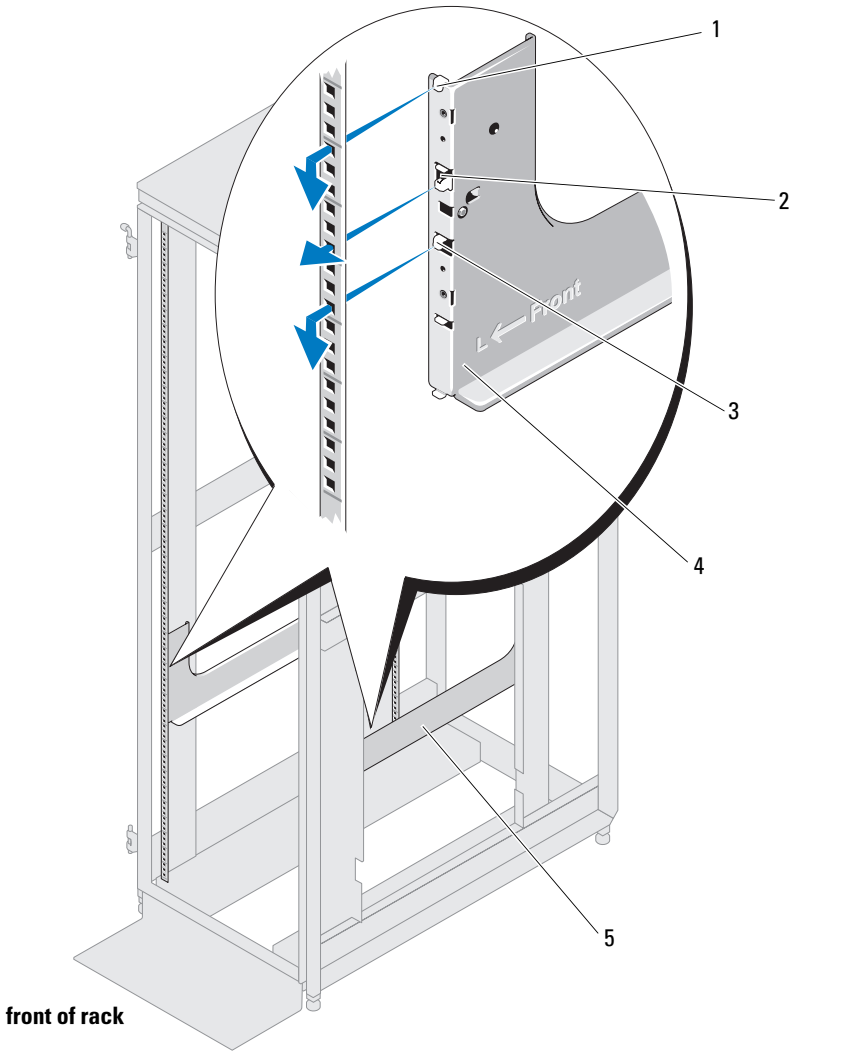
The lower mounting tab on the rail assembly's front-mounting bracket flange should enter the tenth hole up from the lower mark on the vertical rails (see Figure 1-5).

- 2 Push the rail assembly forward until the top mounting tab enters the square hole, which is located 4-U spaces below the upper marks or tape you placed on the vertical rail (see Figure 1-5).
- 3 Next, push down on the mounting-bracket flange until the mounting tabs seat in the square holes and the push button pops out and clicks (see Figure 1-5).
- 4 At the back of the cabinet, pull back on the mounting-bracket flange until the mounting tabs are in the appropriate holes, and then push down on the flange until the mounting tabs seat in the square holes and the push button pops out and clicks.
- 5 Repeat step 1 through step 4 for the rail assembly on the other side of the rack.



NOTE: Ensure that the rails are mounted at the same vertical position on both sides of the rack.

Figure 1-5. Installing the RapidRails Assemblies



- | | | | | | |
|---|---------------------------------------|---|---------------------|---|--------------------|
| 1 | upper mounting tab | 2 | push button | 3 | lower mounting tab |
| 4 | rail-assembly mounting-bracket flange | 5 | rail assemblies (2) | | |

Installing the VersaRails Assemblies

- 1 At the front of the rack cabinet, place a VersaRails assembly so that its mounting-bracket flange fits between the marks or tape (or numbered location) on the rack (see Figure 1-6).

The holes on the front of the mounting bracket should align with the holes between the marks on the front vertical rail.



NOTE: The VersaRails occupy only the lower 6-U of the 10-U space that is required for this system.

- 2 Locate the round mounting hole indicated by the tooled arrow cutout on the VersaRails (see Figure 1-6).
- 3 Install two 10-32 x 0.5-inch flange-head Phillips screws in the front mounting flange to secure the rail assembly to the front vertical rail. See Figure 1-6.

- The upper mounting screw should be installed in the middle round hole of the 6th-U space counting up from the bottom of the 10-U space.
- The lower mounting screw should be installed in the middle round hole of the 1st-U space counting up from the bottom.



NOTE: The two midsection round holes on the VersaRails are for securing your system to the rack. To assemble the VersaRails, use only the round holes indicated by the two tooled arrow cutouts (see Figure 1-6).

- 4 At the back of the cabinet, pull back on the mounting-bracket flange until the mounting holes align with their respective holes on the back vertical rail.
- 5 Install two 10-32 x 0.5-inch flange-head Phillips screws in the back mounting flange to secure the rail assembly to the back vertical rail.
- 6 Repeat step 1 through step 5 for the rail assembly on the other side of the rack.



NOTE: Ensure that the rails are mounted at the same vertical position on both sides of the rack.








Figure 1-6. Installing the VersaRails Rail Assemblies



front of rack

- | | | | | | |
|---|---------------------------------------|---|--------------------------|---|----------------|
| 1 | rail-assembly mounting-bracket flange | 2 | tooled arrow cutouts (2) | 3 | vertical rails |
| 4 | Phillips screws (2) | 5 | rail assemblies (2) | | |

Installing the System in the Rack

-  **CAUTION:** If you are installing more than one system, install the first system in the lowest available position in the rack.
 -  **CAUTION:** Never pull more than one component out of the rack at a time.
 -  **CAUTION:** Because of the size and weight of the system, never attempt to install the system in the rack by yourself.
 -  **CAUTION:** It is recommended that more than one person assist in lifting the system.
 -  **NOTICE:** It is recommended that you use a lift table to aid in installing the system in the rack, particularly if the rail assemblies are more than waist-high.
 -  **NOTICE:** When you are lifting and installing your system in the rack, avoid grasping the LCD module on the front of the system as this part is fragile. See Figure 1-7.
 -  **NOTE:** If you are transporting a system that is already installed in the rack, ensure that the two rack stabilizer mounting brackets are in place.
 - Locate the lower clinch nut holes on either side of the rack just below the default position for the strain-relief bar.
 - To identify the default position of the strain-relief bar and the attachment points for the stabilizer mounting brackets, see Figure 1-8.
- 1 Remove all blades, rear modules, power supplies, and fans before installing your system in the rack.
 - 2 Lift the system into position to install it in the rack.

It is recommended that more than one person assist in lifting the system.
 - 3 Guide the system into the rack and lower the system onto the rail assemblies (see Figure 1-7).
 - 4 Tighten the thumbscrews on the chassis front panel.
 - 5 Reinstall the blades, rear modules, power supplies, and fans.

Figure 1-7. Installing the System in the Rack



- 1 thumbscrews (4)
- 2 LCD module
- 3 rail assemblies (2)

Routing and Managing Cables

To provide maximum serviceability and airflow to your system, use the guidelines in the following procedures for routing and managing your system's cabling configuration. Your system includes the following cable management features:

- A strain-relief bar and Velcro tie wraps, which keep the area directly in back of the system as clear of cables as possible and allow you to move the cable bundles when you need to remove modules (see Figure 1-8).
- An I/O cable enumerator, which maintains the sequence of cables in the order they are connected to the system. Keeping the cable connections intact will facilitate the removal and replacement of I/O modules (see Figure 1-9).

Installing the Strain-Relief Bar



NOTE: Dell recommends that you install the strain-relief bar on the back of your system and use the Velcro tie wraps with this bar to manage the cables and provide maximum strain relief for all cabling configurations.



NOTE: If you are installing systems in a rack and routing cables from the top of the rack, install each strain-relief bar in the default position for all systems except the lowest system in the rack. Install the strain-relief bar that ships with that system in one of the U-spaces at the top of the rack to provide cable management by routing from above the installed systems. If you are installing systems and routing cables only from the bottom of the rack, all strain-relief bars should be mounted in their respective default positions. (See Figure 1-8 and Figure 1-9 for examples of cable routing above and below the system.)

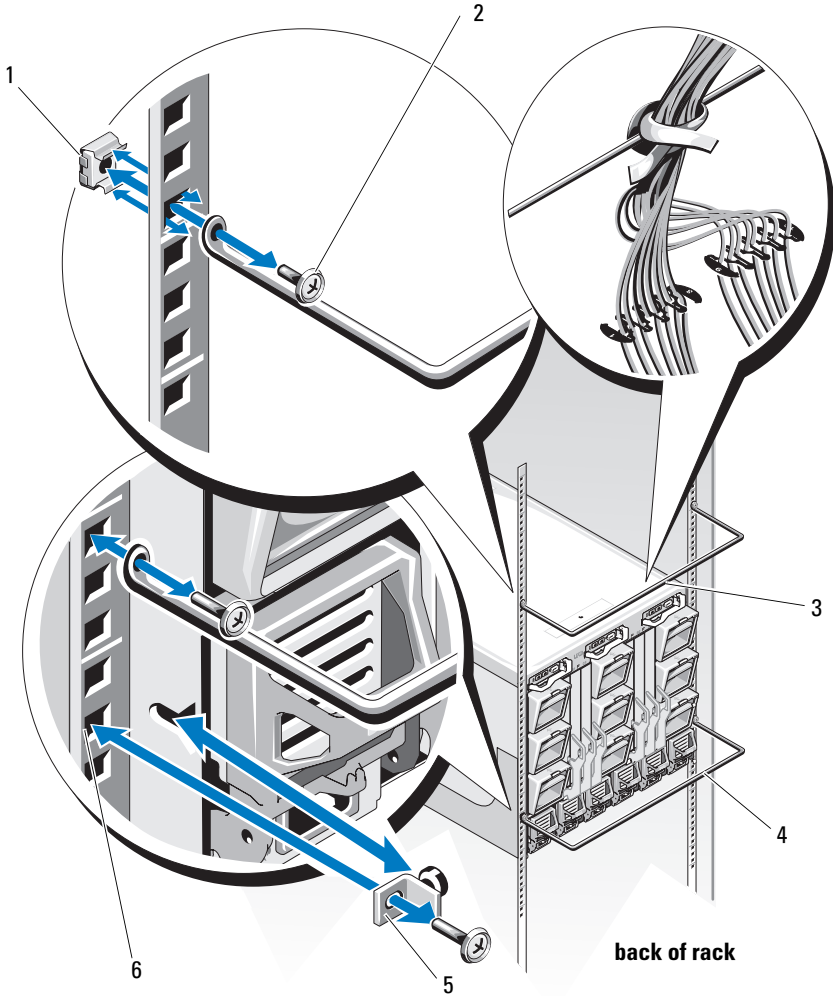
- 1 Before attaching all cables to the system, locate the strain-relief bar and any corresponding mounting screws that are included with your system (see Figure 1-1 and Figure 1-2).



NOTE: If you are installing the strain-relief bar in the optional position above your system, you will need two corresponding cage nuts to install on the back of the rail at each attachment point (see Figure 1-8).

- 2 On the back of the system on the left and right vertical rails, locate the U-space that is third from the lower edge of your system. Each U-space contains three holes. Install the default strain-relief bar in the tooled top hole of the U-space (clinch nut hole). See Figure 1-8.


Figure 1-8. Installing the Strain-Relief Bar




- | | | |
|--------------------------------------|------------------------------------|---|
| 1 cage nut (2) | 2 mounting screw (2) | 3 optional strain-relief bar (for upward cabling) |
| 4 default strain-relief bar position | 5 rack stabilizer shipping bracket | 6 rack stabilizer shipping bracket lower clinch nut |

- 3 Before attaching the cables to their respective connectors, see the instructions in "Connecting and Bundling the Cables" on page 22 and refer to Figure 1-9.

Connecting and Bundling the Cables


 **NOTICE:** Ensure that each bundle of cables that you are connecting cascades over the strain-relief bar, allowing maximum airflow and serviceability for your system.

- 1 Create separate bundles of cables for each logical grouping of a maximum of eight I/O cables or power cables (see Figure 1-9).
- 2 Connect the topmost I/O cables, arranging them as they cascade over the strain-relief bar in an ordered row beginning with the top connector in the group (see Figure 1-9).
- 3 You can manage and organize your cables following the steps described in "Using the I/O Cable Enumerators" on page 22 before you use the Velcro tie wraps to secure each cable bundle to the strain-relief bar.

 **NOTE:** Figure 1-9 illustrates a fully loaded system configuration. If you are managing large numbers of cables, consider first identifying each cable group, attaching the enumerators, and then bundling each cable group with the Velcro tie wraps.

Using the I/O Cable Enumerators

- 1 Locate the I/O cable enumerators that are included with your system (see Figure 1-1 and Figure 1-2). The purpose of the enumerator is to keep the sequence of cable connectors and their respective cables ordered and intact to facilitate easy removal and replacement of system modules.
- 2 For each group of eight cables, select the side numbered one and eight. For a group of 16 cables, you will need two enumerators numbered 1 and 8 and numbered 9 and 16 (see Figure 1-9).

 **NOTE:** Each enumerator is numbered 1 and 8 on one side and 9 and 16 on the opposite side. You will need one enumerator for a set of eight cables and two enumerators for a set of 16 cables.

- 3 Orient the enumerator horizontally to attach each of the cascading cables directly above the point of contact with the strain-relief bar (see Figure 1-9).

- 4 Locate the three notches on each segment of the enumerator. Each enumerator has the capacity to accommodate a sequence of eight cables in one of three graduated thicknesses of cable fabric. For example, large data cables seat in the largest notch in the segment and small fiber optic cables seat in the smallest notch in the segment (see Figure 1-9).
- 5 Identify the cable notch size on the enumerator and seat each cable in the group. Arrange the cables in the same sequence that they connect to the system. (For example, if you have a column of eight cables, seat the topmost cable in the first segment, and so on.) (See Figure 1-9.)



NOTE: Depending on your cabling configuration, you can group and order the cables in a variety of ways as long as you have no more than eight cables grouped and attached to each enumerator.

Figure 1-9 shows 16 cables grouped and ordered with two enumerators: one with the upper eight cables from both columns and the other with the lower eight cables from both columns. For this same example, you can also group and order each column of eight cables (not shown).

Securing the Cables to the Strain-Relief Bar

- 1 Locate the Velcro tie wraps that are included with your system (see Figure 1-1 and Figure 1-2).
- 2 Facing the back of the system, position the tie wrap over the cable bundle as it connects with the strain-relief bar (see Figure 1-9).



NOTE: Depending on your system configuration, there are a number of ways to wrap the cables and secure the cable bundles to the strain-relief bar using the Velcro tie wraps.

- 3 To secure the cables to the bar, wrap the cable bundle by passing the tie wrap around the back of the bar, and then wrapping around the cable bundle again, crossing the tie wrap in front of the cables (see Figure 1-9).
- 4 The cables should be wrapped securely enough to stay bundled while still able to slide on the strain-relief bar. This step ensures that you can easily move bundles of cable clear of I/O modules during removal and installation.



NOTE: Ensure that you secure all power cables routed from either side of your system to the strain-relief bar with Velcro tie wraps as shown in Figure 1-9. See the *Getting Started Guide* for instructions on attaching the power cable retention clip, which adds additional strain relief to your system.

Figure 1-9. Securing the Cables to the Rack



- | | | |
|---------------------------------------|--|---------------------------------|
| 1 I/O cable enumerator (segments 1-8) | 2 I/O cable enumerator (segments 9-16) | 3 cable notches (3 per segment) |
| 4 fiber optic cable connectors (16) | 5 fiber optic cables (16) | 6 strain-relief bar |
| 7 Velcro tie wraps (15) | 8 power cables | 9 vertical rail |

Replacing the Rack Doors

See the procedures for replacing doors in the documentation provided with your rack cabinets.

This completes the rack installation of your system.

Index

C

- cable
 - bundling, 22
 - connections, 22
 - managing, 20
 - routing, 20
 - securing, 23
 - strain relief bar, 23

D

- doors
 - removing, 11
 - replacing, 24

E

- enumerators
 - cable, 22

I

- I/O cable enumerators, 22
- installing
 - system in the rack, 18

K

- kit contents
 - RapidRails, 9
 - VersaRails, 10

M

- managing cables, 20
- marking the rack, 11, 18

R

- rack
 - marking, 11, 18
 - rack mount precautions, 7
 - rack requirements for VersaRails, 7
 - rack stabilizer feet, 8
 - RapidRails kit contents, 9
 - routing cables, 20

S

- safety instructions, 5
- stabilizer feet, 8
- strain relief bar, 23
 - installing, 20

T

- tools and supplies
 - four-post kits, 8

V

- VersaRails
 - kit contents, 10

Guide d'installation du rack



Remarques, avis et précautions



REMARQUE : Une REMARQUE indique des informations importantes qui peuvent vous aider à mieux utiliser votre ordinateur.



AVIS : Un AVIS vous avertit d'un risque de dommage matériel ou de perte de données et vous indique comment éviter le problème.



PRÉCAUTION : Une PRÉCAUTION indique un risque potentiel d'endommagement du matériel, de blessure corporelle ou de mort.

Les informations contenues dans ce document peuvent être modifiées sans préavis.
© 2007 Dell Inc. Tous droits réservés.

La reproduction de ce document de quelque manière que ce soit sans l'autorisation écrite de Dell Inc. est strictement interdite.

Marques utilisées dans ce document : *Dell*, le logo *DELL*, *RapidRails* et *VersaRails* sont des marques de Dell Inc.

Tous les autres noms de marques et marques commerciales utilisés dans ce document se rapportent aux sociétés propriétaires de ces marques et de ces noms ou à leurs produits. Dell Inc. décline tout intérêt dans l'utilisation des marques déposées et des noms de marques ne lui appartenant pas.

Sommaire

Consignes de sécurité	31
SÉCURITÉ : montage en rack des systèmes	31
Consignes générales d'installation	32
Avant de commencer	33
Informations importantes concernant la sécurité	33
Spécifications de rack requises pour les rails VersaRails	34
Pieds stabilisateurs du rack	34
Tâches d'installation	34
Outils et fournitures recommandés	35
Contenu du kit RapidRails	35
Contenu du kit VersaRails	36
Retrait des portes du rack	37
Marquage du rack	37
Installation des assemblages RapidRails	40
Installation des assemblages VersaRails	42
Installation du système dans le rack	44
Acheminement et gestion des câbles de données	46
Installation de la barre de retenue	46
Branchement et regroupement des câbles	48
Réinstallation des portes du rack	51
Index	53


Consignes de sécurité

Respectez les consignes de sécurité de ce guide pour assurer votre sécurité personnelle et pour contribuer à protéger votre système et votre environnement de travail de dommages potentiels. Pour obtenir toutes les informations concernant la sécurité et les réglementations, consultez le document *Product Information Guide* (Guide d'informations sur le produit) fourni avec le système. Les informations sur la garantie se trouvent soit dans ce document, soit à part.

SÉCURITÉ : montage en rack des systèmes

Pour garantir la stabilité du rack, ainsi que votre sécurité, respectez les précautions suivantes. Reportez-vous également à la documentation accompagnant le système et le rack pour connaître les mises en garde et les procédures spécifiques.

Les systèmes sont considérés comme les composants d'un rack. Le terme "composant" fait donc référence à un système mais aussi aux différents périphériques ou matériels associés.

 **PRÉCAUTION : Avant d'installer des systèmes dans un rack autonome, installez d'abord les pieds stabilisateurs avant et latéraux. Pour plusieurs racks associés, installez d'abord les pieds stabilisateurs avant. L'installation de systèmes dans un rack non équipé de pieds stabilisateurs peut provoquer son basculement et entraîner des blessures. Installez toujours les pieds stabilisateurs du rack avant d'ajouter des composants dans celui-ci.**

Après avoir installé un système ou des composants dans un rack, ne faites jamais coulisser hors du rack plus d'un composant à la fois. Le poids de plusieurs composants sortis du rack risquerait de le faire basculer et de blesser quelqu'un gravement.



REMARQUE : Le système est certifié sur le plan de la sécurité en tant qu'unité autonome et en tant que composant destiné à être utilisé dans un rack Dell™ à l'aide du kit de rack client. L'installation du système et du kit d'installation en rack dans une autre armoire n'a reçu aucune homologation des organismes de certification de la sécurité. Il vous incombe de veiller à ce que la combinaison finale système et rack soit conforme à toutes les normes de sécurité en vigueur, ainsi qu'aux normes électriques locales. Dell décline toute responsabilité et toutes garanties liées à ce type de combinaisons.

- Les kits de rack doivent être installés par des techniciens de maintenance qualifiés. Si vous installez ce kit dans un autre rack, assurez-vous que ce dernier possède les mêmes spécifications qu'un rack Dell.



PRÉCAUTION : Un rack ne doit jamais être déplacé par une seule personne. En raison de la hauteur et du poids du rack, cette tâche doit être réalisée par deux personnes au minimum.


- Avant de travailler sur le rack, vérifiez que les pieds stabilisateurs sont fixés au rack, qu'ils touchent le sol et que tout le poids du rack repose sur le sol. Avant d'intervenir sur un rack autonome, installez d'abord les pieds stabilisateurs avant et latéraux. Pour plusieurs racks associés, installez d'abord les pieds stabilisateurs avant.
- Chargez le rack du bas vers le haut, en plaçant toujours l'élément le plus lourd en premier.
- Assurez-vous que le rack est d'aplomb et stable avant de tirer un composant hors de son compartiment.
- Agissez avec précaution lorsque vous appuyez sur les loquets d'éjection des rails pour insérer ou retirer un composant. Veillez notamment à ne pas coincer vos doigts dans les assemblages de rails.
- Ne surchargez pas le circuit d'alimentation secteur du rack. La consommation totale du rack ne doit pas dépasser 80 % de la capacité du circuit.
- Assurez-vous que les éléments installés dans le rack sont suffisamment ventilés.
- Ne montez pas sur un composant lorsque vous intervenez sur d'autres composants du rack.


Consignes générales d'installation


Ce guide d'installation s'adresse à des techniciens de maintenance qualifiés. Il contient les instructions relatives à l'installation d'un ou de plusieurs systèmes dans un rack. La configuration RapidRails™ peut être installée sans outils dans tous les racks du fabricant dotés de trous carrés ; la configuration VersaRails™ peut être installée dans la plupart des racks standard équipés de trous carrés ou ronds. Un kit d'installation est nécessaire pour chaque système.

Avant de commencer

Avant de commencer à installer le système dans le rack, lisez attentivement la section “Consignes de sécurité”, à la page 31, ainsi que les consignes de sécurité figurant dans le document *Product Information Guide* (Guide d'informations sur le produit) pour plus d'informations.


 **PRÉCAUTION** : Si vous installez plusieurs systèmes dans un rack, terminez toutes les opérations requises sur le système en cours d'installation avant de passer au suivant.

 **PRÉCAUTION** : Les racks peuvent être extrêmement lourds, mais se déplacent assez facilement sur leurs roulettes. Cependant, les roulettes ne possèdent pas de système de freinage. Procédez avec la plus grande prudence pour déplacer un rack. Rentrez ses pieds réglables lorsque vous le changez d'emplacement. Évitez de déplacer le rack le long de rampes ou de plans inclinés trop longs ou trop abrupts, sur lesquels l'armoire pourrait vous échapper. Ressortez les pieds réglables lorsque l'armoire doit être soutenue ou pour lui éviter de glisser sur ses roulettes.

 **REMARQUE** : Pour plus d'informations sur l'installation du système proprement dit, voir “Installation du système dans le rack”, à la page 44.


Informations importantes concernant la sécurité

Respectez les précautions décrites dans les sous-sections suivantes lors de l'installation du système dans le rack.


 **PRÉCAUTION** : Vous devez respecter à la lettre les procédures de ce document afin de garantir votre propre protection ainsi que celle d'autrui. Le système peut être très lourd et volumineux. Une préparation et une planification adéquates sont donc importantes afin d'éviter tout risque de blessure pour vous-même ou autrui. Ces précautions sont d'autant plus importantes lorsque les systèmes sont installés en hauteur.

 **PRÉCAUTION** : N'installez pas de kits de rack prévus pour un autre système. Sinon, vous risquez d'endommager le système et de vous blesser ou de blesser une autre personne.

Spécifications de rack requises pour les rails VersaRails

-  **AVIS** : Le kit VersaRails est prévu pour être installé par des techniciens de maintenance qualifiés dans un rack conforme aux spécifications des organismes suivants : Consumer Electronics Association (CEA), norme CEA-310-E, International Electrotechnical Commission (IEC) 297 et Deutsche Industrie Norm (DIN) 41494. Un kit est nécessaire pour chaque système installé dans un rack.

Pieds stabilisateurs du rack

-  **PRÉCAUTION** : Avant d'installer des systèmes dans un rack autonome, installez d'abord les pieds stabilisateurs avant et latéraux. Pour plusieurs racks associés, installez d'abord les pieds stabilisateurs avant. L'installation de systèmes dans un rack non équipé de pieds stabilisateurs peut provoquer son basculement et entraîner des blessures. Installez toujours les pieds stabilisateurs du rack avant d'ajouter des composants dans celui-ci.

Les pieds stabilisateurs évitent au rack de basculer. Consultez la documentation fournie avec le rack pour savoir comment installer et fixer les pieds stabilisateurs.

Tâches d'installation

Pour installer un kit, vous devez effectuer les tâches suivantes en respectant l'ordre des étapes :

- 1 Retrait des portes du rack
- 2 Marquage du rack (si nécessaire)
- 3 Installation des assemblages de rails dans le rack :
 - Installation du kit RapidRails
 - Installation du kit VersaRails
- 4 Installation du système dans le rack
- 5 Acheminement et gestion des câbles de données
 - Installation de la barre de retenue
 - Utilisation des guides pour les câbles d'E/S
- 6 Réinstallation des portes du rack

Outils et fournitures recommandés

- Tournevis cruciforme n° 2
- Bande adhésive ou stylo feutre, pour marquer les trous de montage à utiliser
- Règle ou mètre-ruban

Contenu du kit RapidRails

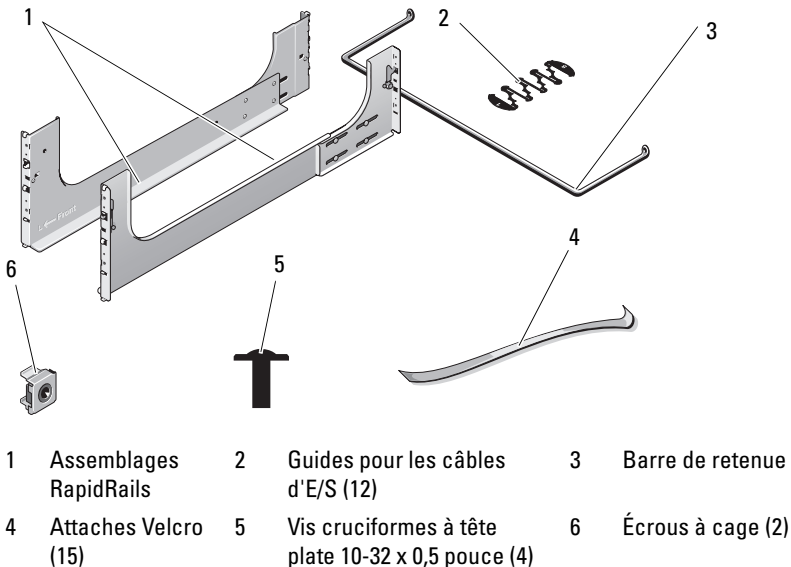
Le kit RapidRails comprend les éléments suivants (voir la figure 1-1) :

- Une paire d'assemblages RapidRails
- Une barre de retenue
- Écrous à cage (2)
- Guides pour les câbles d'E/S (12)
- Attaches Velcro (15)
- Quatre vis à tête cruciforme 10-32 x 0,5 pouce



REMARQUE : Chaque kit de rack contient le nombre maximal d'attaches Velcro et de guides pour câbles d'E/S dont vous auriez besoin pour un système totalement équipé.


Figure 1-1. Contenu du kit RapidRails



Contenu du kit VersaRails

Le kit VersaRails comprend les éléments suivants (voir la figure 1-2) :

- Une paire d'assemblages VersaRails
- Une barre de retenue
- Écrous à clip (2)
- Guides pour les câbles d'E/S (12)
- Attaches Velcro (15)
- Douze vis cruciformes à tête plate 10-32 x 0,5 pouce

 **REMARQUE :** Chaque kit de rack contient le nombre maximal d'attaches Velcro et de guides pour câbles d'E/S dont vous auriez besoin pour un système totalement équipé.


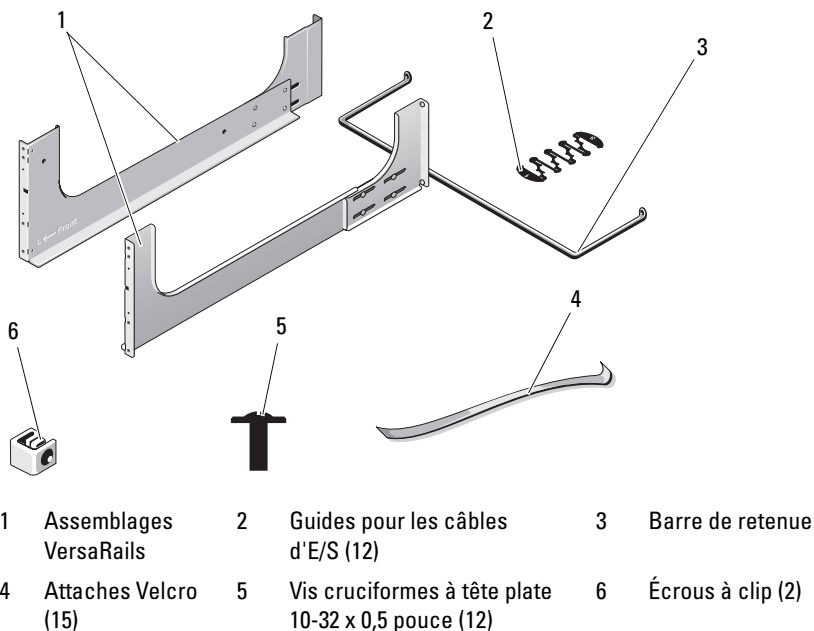
 **REMARQUE :** Les vis non métriques sont identifiées dans ce document en fonction de leur taille et de leur nombre de filetages par pouce. Par exemple, une vis à tête cruciforme n° 10 avec 32 filets par pouce est désignée par l'appellation "vis 10-32".

Figure 1-2. Contenu du kit VersaRails



Retrait des portes du rack

Pour savoir comment retirer les portes du rack, reportez-vous à la documentation fournie avec ce dernier.



PRÉCAUTION : Compte tenu de leur poids et de leur taille, ne retirez ou n'installez jamais les portes sans l'assistance d'une autre personne.



PRÉCAUTION : Placez les deux portes dans un endroit sûr où elles ne risquent pas de tomber accidentellement et de blesser quelqu'un.

Marquage du rack

Vous devez compter un espace vertical de 10 U (44,45 cm ou 17,5 pouces) pour chaque système installé dans le rack (voir la figure 1-3).



REMARQUE : Il se peut que votre rack soit déjà marqué, auquel cas cette procédure est inutile.



PRÉCAUTION : Si vous installez plusieurs systèmes, placez les assemblages de rails de façon que le premier système soit installé le plus bas possible dans le rack.

- 1 Placez une marque sur les rails verticaux avant du rack, à l'endroit correspondant au bas du système à installer dans l'armoire rack.

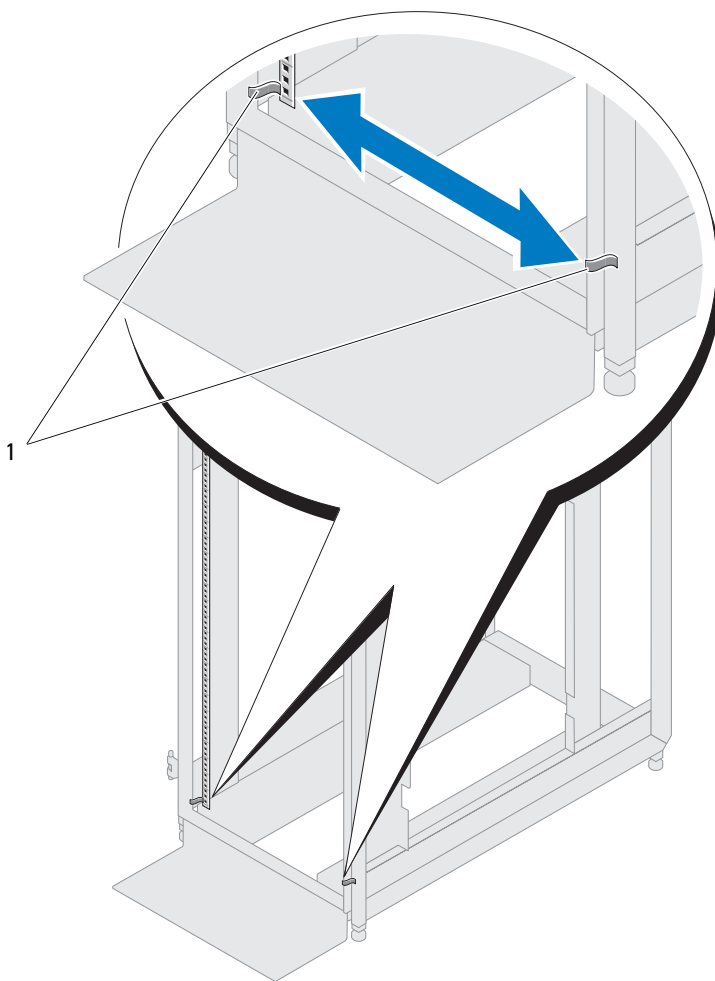
Le bas de chaque espace de 1 U se trouve au milieu de la zone métallique la plus étroite entre les trous (repérée par une ligne horizontale sur certains racks ; voir la figure 1-3).

Figure 1-3. Unité de rack



- 2 Marquez les rails verticaux avant du rack avec un stylo feutre ou de la bande protectrice adhésive, à environ 44,45 cm (soit 17,5 pouces) au-dessus de la marque que vous aviez faite à l'origine (ou remontez de 30 trous, si vous utilisez un rack conforme aux normes CEA-310-E). Si vous avez compté les trous, placez la marque au-dessus du trou supérieur. Cette marque ou ce morceau de bande adhésive indique l'emplacement du bord supérieur du système sur les rails verticaux (voir la figure 1-4).

Figure 1-4. Marquage des rails verticaux



1 Bande apposée sur les rails verticaux

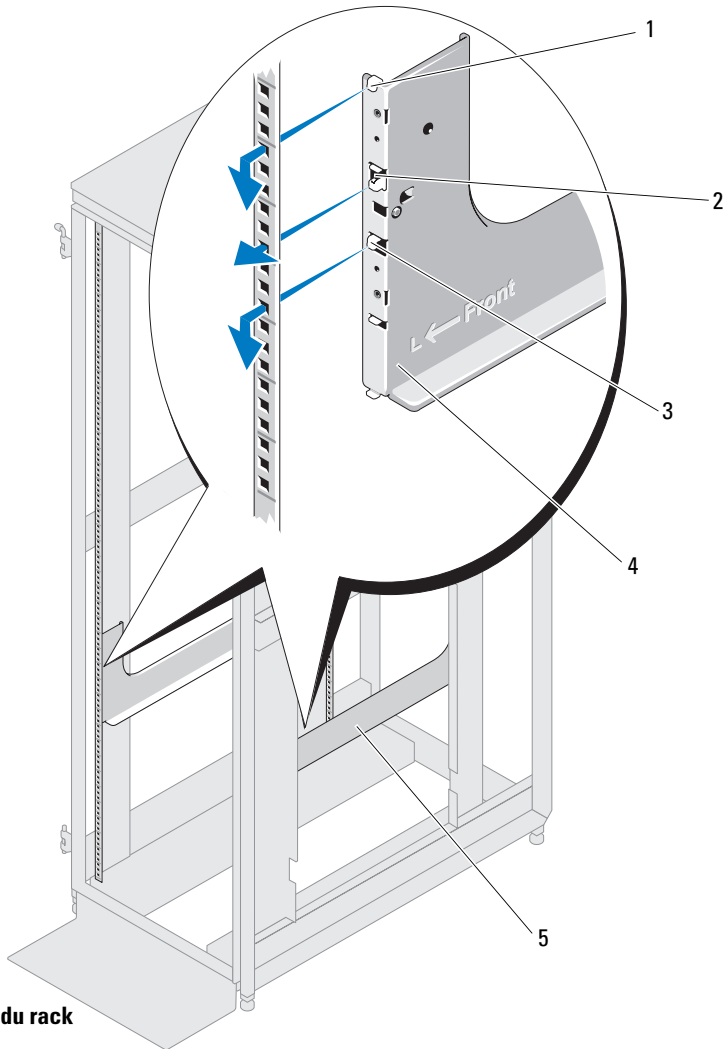
Installation des assemblages RapidRails

- 1 À l'avant de l'armoire rack, positionnez l'un des assemblages RapidRails de sorte que la collerette de son support de montage s'insère à l'endroit approprié sur le rack (voir la figure 1-5).
La patte de montage inférieure de la collerette doit pénétrer dans le dixième trou au-dessus de la marque faite au bas des rails verticaux (voir la figure 1-5).
- 2 Poussez l'assemblage de rail vers l'avant jusqu'à ce que la patte de montage supérieure pénètre dans le trou carré approprié. Ce trou se trouve à une distance de 4 U en dessous des marques (ou du morceau de bande adhésive) placées en haut du rail vertical (voir la figure 1-5).
- 3 Ensuite, appuyez sur la collerette jusqu'à ce que les pattes de montage s'emboîtent dans les trous carrés et que le bouton-poussoir ressorte avec un déclic (voir la figure 1-5).
- 4 À l'arrière de l'armoire, tirez la collerette de montage vers l'arrière jusqu'à ce que les pattes s'insèrent dans les trous appropriés, puis appuyez sur la collerette jusqu'à ce que ces pattes s'emboîtent dans les trous carrés et que le bouton-poussoir ressorte avec un déclic.
- 5 Recommencez la procédure décrite de l'étape 1 à l'étape 4 pour l'assemblage de rail situé de l'autre côté du rack.



REMARQUE : Vérifiez que les rails sont montés à la même hauteur sur les deux côtés du rack.

Figure 1-5. Installation des assemblages RapidRails



- | | | | | | |
|---|----------------------------------|---|--------------------------|---|-----------------------------|
| 1 | Patte de montage supérieure | 2 | Bouton-poussoir | 3 | Patte de montage inférieure |
| 4 | Collerette du support de montage | 5 | Assemblages de rails (2) | | |

Installation des assemblages VersaRails

- 1 À l'avant du rack, positionnez l'un des assemblages VersaRails de façon que la collerette de son support de montage s'insère entre les marques ou la bande adhésive (ou l'emplacement numéroté) sur le rack (voir la figure 1-6).

Les trous situés à l'avant de la collerette doivent s'aligner avec ceux qui se trouvent entre les marques faites sur le rail vertical avant.



REMARQUE : Le support VersaRails occupe uniquement la partie inférieure (6 U) de l'espace de 10 U requis pour l'installation du système.

- 2 Repérez le trou de montage rond indiqué par la découpe en forme de flèche sur l'assemblage VersaRails (voir la figure 1-6).
- 3 Insérez deux vis cruciformes 10-32 x 0,5 pouce dans la collerette avant pour fixer l'assemblage de rail sur le rail vertical avant. Voir la figure 1-6.
 - La vis de montage supérieure doit être installée dans le trou rond situé au milieu de la sixième unité en remontant à partir du bas de l'espace de 10 U.
 - La vis de montage inférieure doit être installée dans le trou rond situé au milieu de la première unité en remontant à partir du bas.



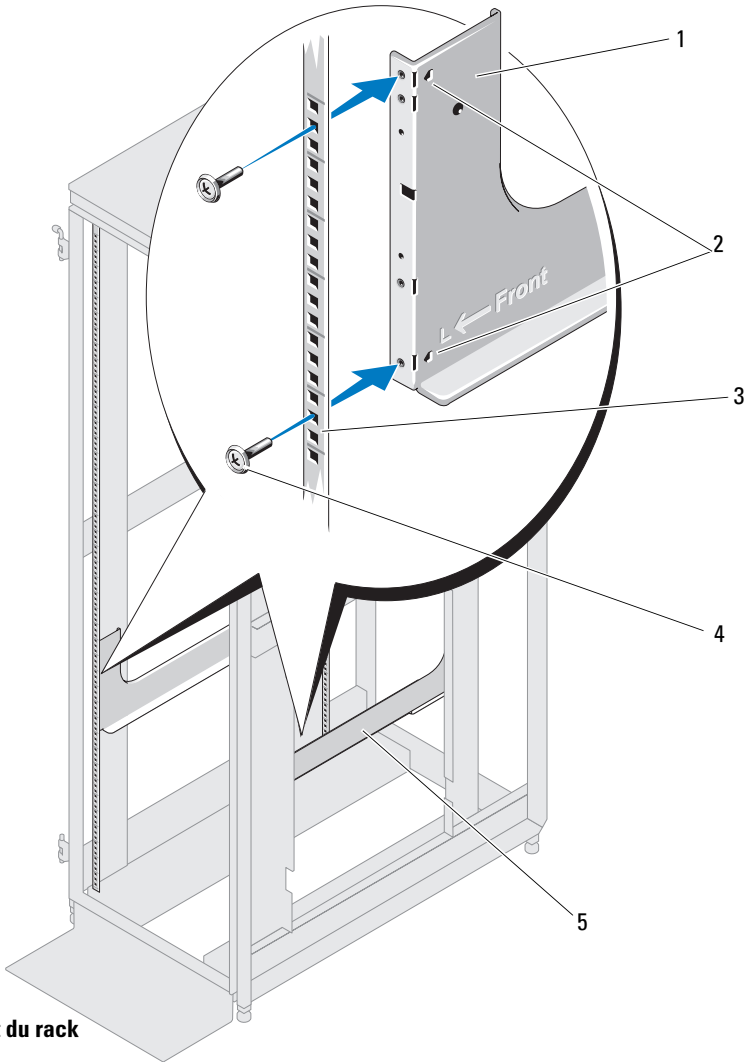
REMARQUE : Les deux trous ronds situés au milieu des assemblages VersaRails doivent être utilisés pour fixer le système sur le rack. Pour assembler les rails VersaRails, utilisez uniquement les orifices ronds indiqués par une découpe en forme de flèche (voir la figure 1-6).

- 4 À l'arrière de l'armoire, tirez sur la collerette du support de montage jusqu'à ce que les trous de montage s'alignent avec les trous correspondants du rail vertical arrière.
- 5 Insérez deux vis cruciformes à tête plate 10-32 x 0,5 pouce dans la collerette de montage arrière, de manière à fixer l'assemblage de rail sur le rail vertical arrière.
- 6 Recommencez la procédure décrite de l'étape 1 à l'étape 5 pour l'assemblage de rail situé de l'autre côté du rack.



REMARQUE : Vérifiez que les rails sont montés à la même hauteur sur les deux côtés du rack.

Figure 1-6. Installation des assemblages VersaRails



Avant du rack

- | | | | | | |
|---|----------------------------------|---|--------------------------|---|-----------------|
| 1 | Collerette du support de montage | 2 | Découpes (2) | 3 | Rails verticaux |
| 4 | Vis cruciformes (2) | 5 | Assemblages de rails (2) | | |


Installation du système dans le rack


 **PRÉCAUTION** : Si vous installez plusieurs systèmes, installez le premier le plus bas possible dans le rack.


 **PRÉCAUTION** : Ne retirez jamais plusieurs composants du rack en même temps.

 **PRÉCAUTION** : Le système étant d'une taille et d'un poids importants, n'essayez jamais de l'installer dans le rack sans l'assistance d'une autre personne.

 **PRÉCAUTION** : Il est recommandé de travailler à plusieurs pour soulever le système.

 **AVIS** : Il est recommandé d'utiliser une table élévatrice pour installer le système dans le rack, particulièrement si les assemblages de rails sont situés à plus d'un mètre du sol.

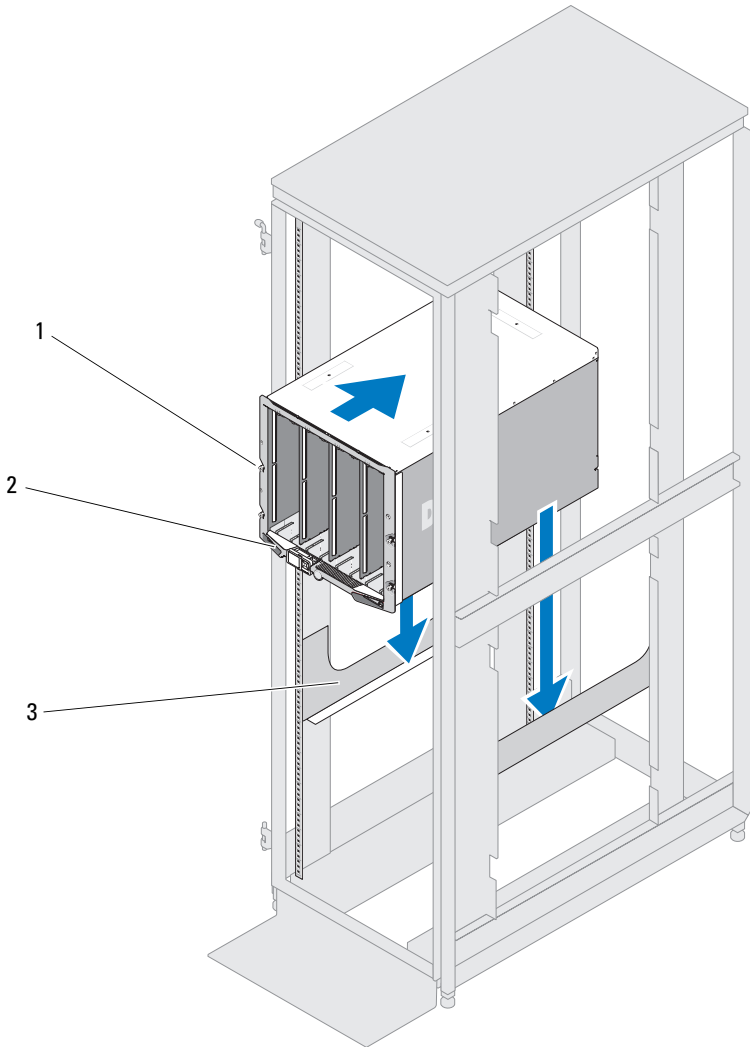
 **AVIS** : Lorsque vous soulevez le système pour l'installer dans le rack, ne saisissez pas le module LCD situé sur la face avant, car il s'agit d'une pièce fragile. Voir la figure 1-7.

 **REMARQUE** : Si vous transportez un système déjà installé dans le rack, assurez-vous que les deux supports de stabilisation du rack sont en place.

- Repérez les trous inférieurs prévus pour les écrous-rivets de chaque côté du rack, juste en dessous de la position par défaut de la barre de retenue.
- Pour identifier la position par défaut de la barre de retenue et les points d'attache des supports de stabilisation, voir la figure 1-8.

- 1 Retirez les lames, les modules arrière, les blocs d'alimentation et les ventilateurs avant d'installer le système dans le rack.
- 2 Soulevez le système pour le positionner et l'installer dans le rack. Il est recommandé de travailler à plusieurs pour soulever le système.
- 3 Insérez le système dans le rack et abaissez-le sur les assemblages de rails (voir la figure 1-7).
- 4 Serrez les vis moletées sur le panneau avant du châssis.
- 5 Réinstallez les lames, les modules arrière, les blocs d'alimentation et les ventilateurs.

Figure 1-7. Installation du système dans le rack



- 1 Vis moletées (4) 2 Module LCD 3 Assemblages de rails (2)

Acheminement et gestion des câbles de données

Utilisez les consignes présentées dans les procédures suivantes pour acheminer et gérer les câbles de manière à assurer une ventilation correcte du système et faciliter les procédures de maintenance. Le système comprend les fonctions de gestion des câbles suivantes :

- La barre de retenue et les attaches Velcro permettent de dégager le plus possible l'arrière du système et de déplacer les faisceaux de câbles lorsque vous devez retirer des modules (voir la figure 1-8).
- Un guide pour les câbles d'E/S permet de conserver les câbles dans l'ordre dans lequel ils sont connectés au système. Cette configuration facilite le retrait et le remplacement des modules d'E/S (voir la figure 1-9).

Installation de la barre de retenue



REMARQUE : Dell recommande d'installer la barre de retenue à l'arrière du système et de l'utiliser avec les attaches Velcro afin de gérer le positionnement des câbles et d'éviter une tension excessive, quelle que soit la configuration de câblage utilisée.



REMARQUE : Si vous installez les systèmes dans un rack et acheminez les câbles depuis le haut du rack, installez chaque barre de retenue à la position par défaut pour tous les systèmes, sauf celui installé tout en bas du rack. La barre de retenue livrée avec ce système doit être installée dans l'un des espaces situés en haut du rack afin de permettre aux câbles d'être acheminés au-dessus des systèmes installés. Si l'installation des systèmes et l'acheminement des câbles sont effectués uniquement à partir du bas du rack, toutes les barres de retenue doivent être installées à leur position par défaut respective. Voir la figure 1-8 et la figure 1-9 pour obtenir des exemples d'acheminement des câbles au-dessus et en dessous du système.

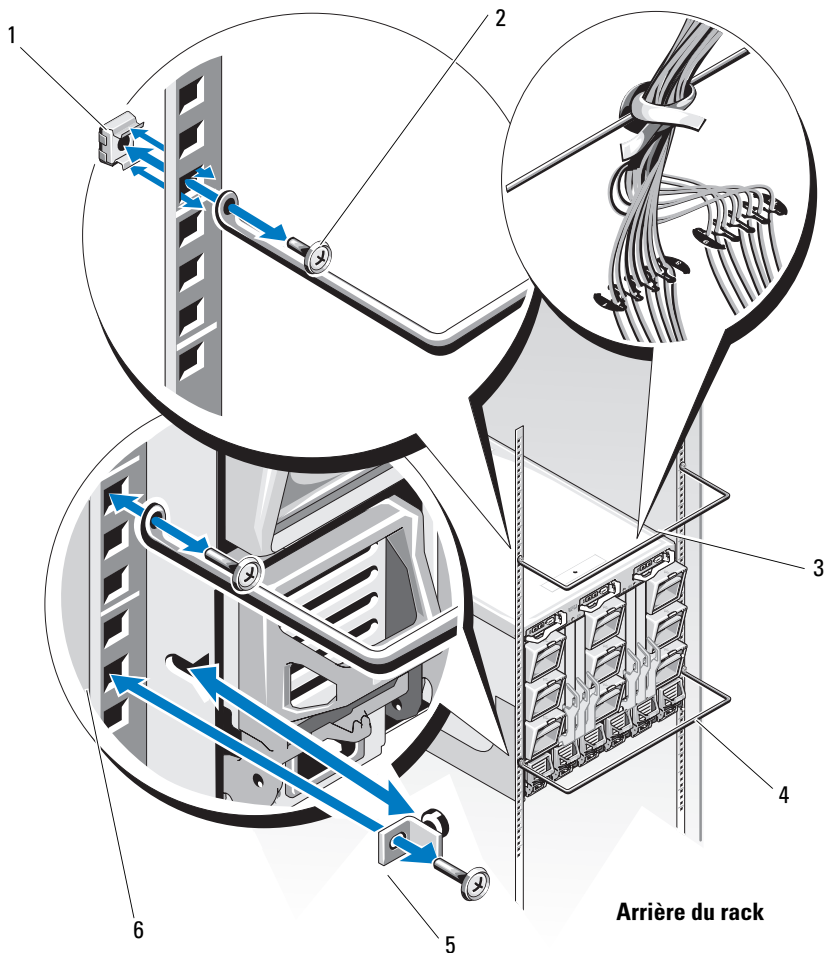
- 1 Avant de connecter les câbles au système, repérez la barre de retenue et les vis de montage correspondantes fournies avec le système, le cas échéant (voir la figure 1-1 et la figure 1-2).



REMARQUE : Si vous installez la barre de retenue au dessus du système (facultatif), vous devez utiliser deux écrous à cage pour chaque point d'attache permettant de fixer la barre sur l'arrière du rail (voir la figure 1-8).

- 2 À l'arrière du système, sur les rails verticaux de gauche et de droite, identifiez le troisième espace de 1 U en remontant à partir du bord inférieur du système. Chaque espace de 1 U comporte trois trous. Installez la barre de retenue à sa position par défaut, c'est-à-dire dans le trou situé en haut de cet espace de 1 U (destiné à l'installation de l'écrou-rivet). Voir la figure 1-8.

Figure 1-8. Installation de la barre de retenue



- | | | | | | |
|---|--|---|--------------------------|---|---|
| 1 | Écrou à cage (2) | 2 | Vis de montage (2) | 3 | Barre de retenue en option (pour acheminer les câbles vers le haut) |
| 4 | Position par défaut de la barre de retenue | 5 | Support de stabilisation | 6 | Écrou-rivet du support de stabilisation |

- 3 Avant d'attacher chaque câble à son connecteur respectif, reportez-vous aux instructions de la section “Branchement et regroupement des câbles”, à la page 48. Voir également la figure 1-9.

Branchement et regroupement des câbles



AVIS : Afin d'assurer une ventilation correcte du système et de faciliter les opérations de maintenance, vérifiez que chaque faisceau de câbles que vous connectez passe par-dessus la barre de retenue.

- 1 Créez des faisceaux séparés pour chaque regroupement logique d'un maximum de huit câbles d'E/S ou d'alimentation (voir la figure 1-9).
- 2 En commençant par le connecteur le plus haut, connectez les câbles supérieurs et faites-les passer sur la barre de retenue, sans les mélanger (voir la figure 1-9).
- 3 Vous pouvez organiser les câbles à l'aide des instructions de la section “Utilisation des guides pour les câbles d'E/S”, à la page 48 avant d'utiliser les attaches Velcro pour fixer chaque faisceau de câbles à la barre de retenue.



REMARQUE : La figure 1-9 présente un système totalement équipé. Si vous gérez un nombre important de câbles, il peut être préférable de commencer par identifier chaque groupe de câbles, puis d'installer les guide-câbles et de regrouper chaque faisceau avec les attaches Velcro.

Utilisation des guides pour les câbles d'E/S

- 1 Munissez-vous des guide-câbles fournis avec le système (voir la figure 1-1 et la figure 1-2). Les guide-câbles permettent d'organiser les câbles en fonction de l'ordre des connecteurs afin de faciliter le retrait et le remplacement des modules système.
- 2 Pour chaque groupe de huit câbles, sélectionnez le côté numéroté 1 et 8. Pour un groupe de 16 câbles, vous devez utiliser deux guide-câbles dont un numéroté de 1 à 8 et l'autre de 9 à 16 (voir la figure 1-9).



REMARQUE : Chaque guide-câbles est numéroté de 1 à 8 sur une face et de 9 à 16 sur l'autre face. Vous devez utiliser un guide-câbles pour un groupe de huit câbles et deux guide-câbles pour un groupe de 16 câbles.

- 3 Orientez le guide-câbles horizontalement pour que chaque câble puisse être inséré directement au-dessus du point de contact avec la barre de retenue (voir la figure 1-9).

- 4 Repérez les trois encoches situées sur chaque segment du guide-câbles. Chaque guide-câbles peut accueillir huit câbles de trois épaisseurs variables. Par exemple, les câbles de données dont le diamètre est le plus important doivent être insérés dans l'encoche la plus large, tandis que l'encoche la plus étroite conviendra par exemple, pour des câbles à fibre optique (voir la figure 1-9).
- 5 Identifiez l'encoche la plus adaptée au diamètre du câble et insérez chaque câble du groupe dans le guide-câbles. Conservez l'ordre dans lequel les câbles ont été connectés au système. Par exemple, pour une colonne de huit câbles, insérez le câble du haut dans le premier segment du guide-câbles, etc. Voir la figure 1-9.



REMARQUE : Vous pouvez grouper et organiser les câbles de différentes façons, tant que chaque guide-câbles n'accueille pas plus de huit câbles.

La figure 1-9 représente 16 câbles regroupés et organisés dans deux guide-câbles. Le guide-câbles du haut contient les huit câbles supérieurs des deux colonnes, tandis que le second contient les huit câbles inférieurs. Dans ce même exemple, vous pourriez également grouper les huit câbles de chaque colonne dans un même guide-câbles (configuration non représentée).

Fixation des câbles sur la barre de retenue

- 1 Repérez les attaches Velcro fournies avec le système (voir la figure 1-1 et la figure 1-2).
- 2 Après vous être placé face à l'arrière du système, faites passer l'attache Velcro autour du faisceau de câbles, à l'endroit où il est en contact avec la barre de retenue (voir la figure 1-9).



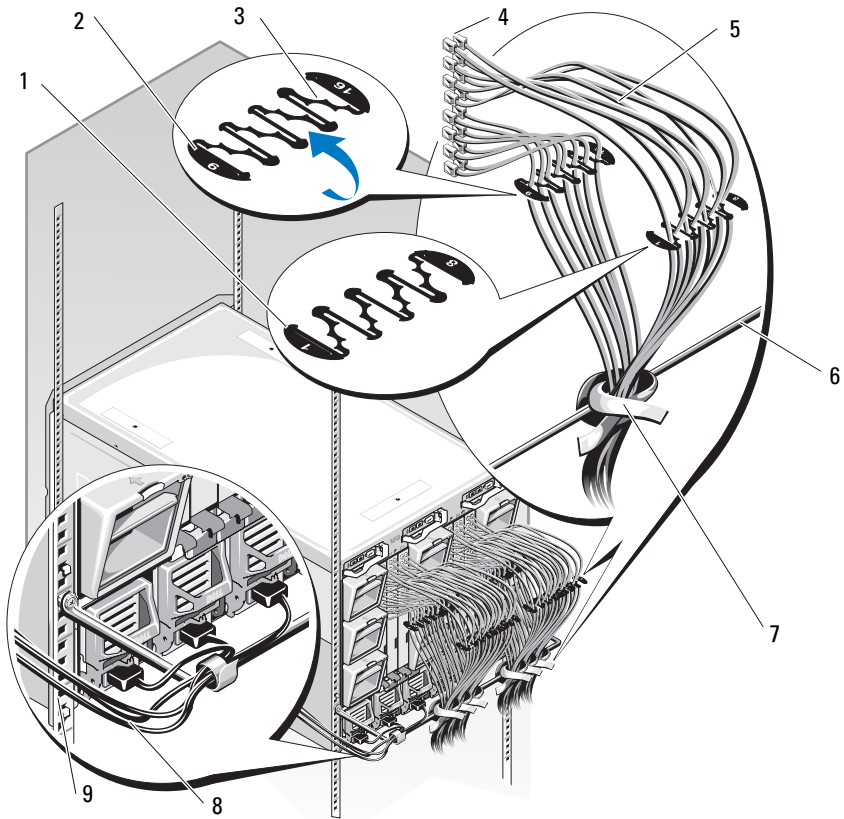
REMARQUE : Selon la configuration du système, vous pouvez utiliser plusieurs méthodes pour attacher les câbles et les fixer à la barre de retenue à l'aide des bandes Velcro.

- 3 Pour fixer les câbles à la barre de retenue, faites passer l'attache Velcro derrière la barre et faites de nouveau le tour du faisceau en croisant l'attache devant les câbles (voir la figure 1-9).
- 4 Les câbles doivent être maintenus fermement tout en ayant suffisamment de jeu pour pouvoir coulisser sur la barre de retenue. Il est ainsi plus facile de déplacer les faisceaux de câbles lors du retrait et de l'installation des modules d'E/S.



REMARQUE : Vérifiez que tous les câbles d'alimentation acheminés de chaque côté du système sont fixés à la barre de retenue à l'aide de bandes Velcro, comme indiqué figure 1-9. Reportez-vous au document *Getting Started Guide* (Guide de mise en route) pour savoir comment installer un clip de fixation supplémentaire qui permet également d'éviter une tension excessive des câbles d'alimentation.

Figure 1-9. Fixation des câbles au rack



- | | | | | | |
|---|--|---|------------------------------|---|--------------------------|
| 1 | Guide-câbles (segments 1-8) | 2 | Guide-câbles (segments 9-16) | 3 | Encoches (3 par segment) |
| 4 | Connecteurs pour câbles à fibre optique (16) | 5 | Câbles à fibre optique (16) | 6 | Barre de retenue |
| 7 | Attaches Velcro (15) | 8 | Câbles d'alimentation | 9 | Rail vertical |

Réinstallation des portes du rack

Consultez les procédures de réinstallation des portes figurant dans la documentation fournie avec vos armoires rack.

L'installation du système dans le rack est terminée.

Index

A

Acheminement des câbles, 46

B

Barre de retenue, 49
Installation, 46

C

Câble
Acheminement, 46
Barre de retenue, 49
Branchements, 48
Fixation, 49
Gestion, 46
Regroupement, 48
Consignes de sécurité, 31
Contenu du kit
RapidRails, 35
VersaRails, 36

G

Gestion des câbles, 46
Guide-câbles, 48
Câble, 48

I

Installation
Rack, système, 44

M

Marquage du rack, 37, 44

O

Outils et fournitures
Kit pour armoire à quatre montants, 35

P

Pieds stabilisateurs, 34
Portes
Réinstallation, 51
Retrait, 37
Précautions relatives
au montage en rack, 33

R

Rack

Marquage, 37, 44

Rack, pieds stabilisateurs, 34

RapidRails, contenu du kit, 35

S

Spécifications de rack requises
pour les rails VersaRails, 34

V

VersaRails

Contenu du kit, 36

Rack-Installations- anleitung



Anmerkungen, Hinweise und Vorsichtshinweise



ANMERKUNG: Eine ANMERKUNG macht auf wichtige Informationen aufmerksam, die die Arbeit mit dem Computer erleichtern.



HINWEIS: Ein HINWEIS warnt vor möglichen Beschädigungen der Hardware oder vor Datenverlust und zeigt auf, wie derartige Probleme vermieden werden können.



VORSICHT: Hiermit werden Sie auf eine potentiell gefährliche Situation hingewiesen, die zu Sachschäden, Verletzungen oder zum Tod führen könnte.

Irrtümer und technische Änderungen vorbehalten.

© 2007 Dell Inc. Alle Rechte vorbehalten.

Die Reproduktion dieses Dokuments in jeglicher Form ohne vorherige schriftliche Genehmigung von Dell Inc. ist streng verboten.

In diesem Text verwendete Marken: *Dell*, das *DELL* Logo, *RapidRails* und *VersaRails* sind Marken von Dell Inc.

Alle anderen in dieser Dokumentation genannten Marken und Handelsbezeichnungen sind Eigentum der jeweiligen Hersteller und Firmen. Dell Inc. erhebt keinen Anspruch auf Besitzrechte an Marken und Handelsbezeichnungen mit Ausnahme der eigenen.

Inhalt

Sicherheitshinweise	59
SICHERHEIT: Montieren von Systemen im Rack . . .	59
Allgemeine Installationsanleitung	61
Bevor Sie beginnen	61
Wichtige Sicherheitshinweise	61
Rack-Anforderungen für VersaRails	62
Rack-Stabilisatoren	62
Ablauf der Installation	62
Empfohlene Werkzeuge und Zubehör	63
Inhalt des RapidRails-Rack-Kits	63
Inhalt des VersaRails-Rack-Kits	64
Abnehmen der Rack-Türen	65
Markieren des Racks	65
Installation der RapidRails-Gleitschienen	68
Installation der VersaRails-Gleitschienen	70
Installation des Systems im Rack	72
Verlegen und Verwalten von Kabeln	74
Installation der Zugentlastungsstrebe	74
Anschließen und Verlegen der Kabel	77
Wiederanbringen der Rack-Türen	81
Stichwortverzeichnis	83

Sicherheitshinweise

Beachten Sie die nachfolgenden Sicherheitshinweise, um Ihre eigene Sicherheit zu gewährleisten und eine Beschädigung des Systems und der Arbeitsumgebung zu vermeiden. Vollständige Informationen über die Sicherheitsanforderungen und Betriebsvorschriften finden Sie im *Produktinformationshandbuch* zum System. Die Garantieinformationen befinden sich entweder dort oder in einem gesonderten Dokument.

SICHERHEIT: Montieren von Systemen im Rack

Beachten Sie die folgenden Vorsichtsmaßnahmen für die Stabilität und Sicherheit des Racks. Spezielle Warnungen und/oder Sicherheitshinweise und Prozeduren finden Sie auch in der zum System gehörenden Dokumentation zur Rack-Installation.

Systeme gelten als Komponenten in einem Rack. Der Begriff „Komponente“ bezieht sich also auf ein beliebiges System oder auch Peripheriegeräte und Zusatzhardware.



VORSICHT: Bevor Sie Systeme in einem Rack einbauen, installieren Sie bei frei stehenden Racks die vorderen und seitlichen Stabilisatoren und bei Racks, die mit anderen Racks verbunden sind, die vorderen Stabilisatoren. Wenn vor dem Einsetzen von Systemen in einem Rack keine Stabilisatoren angebracht werden, kann das Rack unter Umständen umkippen und Verletzungen verursachen. Befestigen Sie daher immer zuerst die Stabilisatoren, bevor Sie Komponenten im Rack installieren.

Ziehen Sie nach dem Einbau von Systemen/Komponenten in einem Rack niemals mehr als eine Komponente gleichzeitig auf den Gleitschienen aus dem Rack. Durch das Gewicht von mehr als einer Komponente kann das Rack umkippen und Verletzungen verursachen.



ANMERKUNG: Ihr System ist als freistehende Einheit und Komponente zugelassen, die mit Hilfe eines Rack-Kits in Dell™ Racks verwendet werden kann. Die Installation des Systems und des Rack-Kits in anderen Gestellschränken ist von keiner Prüfbehörde abgenommen. Sie sind selbst dafür verantwortlich, dass die endgültige Kombination von System und Rack alle geltenden Sicherheitsstandards und die lokalen elektrischen Richtlinien erfüllt. Dell übernimmt keinerlei Haftung und Gewährleistung für derartige Kombinationen.

- System-Rack-Kits sollten von geschulten Servicetechnikern in einem Rack installiert werden. Wenn Sie das Kit in einem anderen Rack installieren, vergewissern Sie sich, dass das Rack die Spezifikationen eines Dell-Racks erfüllt.



VORSICHT: Große Racks dürfen nicht von einer Person allein bewegt werden. Wegen der Höhe und des Gewichts des Racks sollte diese Arbeit mit mindestens zwei Personen durchgeführt werden.

- Bevor Sie an einem Rack arbeiten, vergewissern Sie sich, dass die Stabilisatoren sicher am Rack befestigt sind, fest auf dem Boden aufliegen und dass das gesamte Gewicht des Racks auf dem Boden lastet. Montieren Sie an einem einzelnen Rack die vorderen und seitliche Stabilisatoren, an mehreren miteinander verbundenen Racks die vordere Stabilisatoren, bevor Sie Arbeiten am Rack durchführen.
- Bestücken Sie das Rack immer von unten nach oben, und setzen Sie die schwerste Komponente zuerst ein.
- Vergewissern Sie sich, dass das Rack gerade und stabil steht, bevor Sie eine Komponente aus dem Rack ziehen.
- Es besteht Quetschgefahr für die Finger, wenn Sie auf die Schienenverriegelung der Komponente drücken und eine Komponente in das Rack schieben oder herausziehen.
- Überlasten Sie nicht den Wechselstromkreis, über den das Rack mit Strom versorgt wird. Die Gesamtlast des Racks sollte 80 Prozent der Nennbelastbarkeit des Stromkreises nicht überschreiten.
- Überprüfen Sie, ob eine ausreichende Luftzufuhr zu den Komponenten im Rack gewährleistet ist.
- Treten Sie nicht auf Komponenten und stellen Sie sich nicht darauf, wenn Sie an anderen Komponenten in einem Rack Arbeiten durchführen.

Allgemeine Installationsanleitung

Diese Installationsanleitung enthält Anweisungen zur Installation eines oder mehrerer Systeme in einem Rack durch geschulte Servicetechniker. Die Rapid-Rails™-Konfiguration lässt sich ohne Werkzeuge in allen Herstellergestellsschränken mit Rechtecklöchern installieren, und die VersaRails™-Konfiguration in den meisten Standardgestellsschränken mit Rechteck- oder Rundlöchern. Für jedes im Rack installierte System wird ein Rack-Kit benötigt.

Bevor Sie beginnen

Bevor Sie mit der Installation des Systems im Rack beginnen, lesen Sie aufmerksam den Abschnitt „Sicherheitshinweise“ auf Seite 59 sowie die Sicherheitshinweise im *Produktinformationshandbuch* zum System.



VORSICHT: Wenn Sie mehrere Systeme in einem Rack installieren, schließen Sie alle Maßnahmen für ein System ab, bevor Sie das nächste System installieren.



VORSICHT: Racks können sehr schwer sein und leicht wegrollen. Sie sind nicht mit Bremsen ausgestattet. Bewegen Sie ein Rack nur mit größter Vorsicht. Fahren Sie die höhenverstellbaren Füße ein, bevor Sie ein Rack bewegen. Vermeiden Sie lange bzw. steile Neigungen oder Rampen, auf denen Sie die Kontrolle über das Rack verlieren könnten. Fahren Sie die höhenverstellbaren Füße aus, damit das Rack abgestützt wird und nicht wegrollen kann.



ANMERKUNG: Wie das System selbst installiert wird, erfahren Sie unter „Installation des Systems im Rack“ auf Seite 72.

Wichtige Sicherheitshinweise

Beachten Sie beim Einbau des Systems im Rack die Sicherheitsmaßnahmen in den folgenden Unterabschnitten.



VORSICHT: Befolgen Sie die in diesem Dokument angegebenen Vorgehensweisen genau, um sich selbst und andere Personen nicht zu gefährden. Das System ist möglicherweise sehr groß und schwer. Sie sollten die Installation sorgfältig vorbereiten und planen, um Verletzungen vorzubeugen. Diese Vorkehrungen gelten umso mehr, wenn Systeme oben im Rack installiert werden.



VORSICHT: Installieren Sie keine Rack-Kit-Komponenten, die für andere Systeme vorgesehen sind. Verwenden Sie ausschließlich das für das System vorgesehene Rack-Kit. Wenn Sie das Rack-Kit für ein anderes System verwenden, könnte das System beschädigt und Sie selbst oder andere Personen verletzt werden.

Rack-Anforderungen für VersaRails



HINWEIS: Das VersaRails-Rack-Kit ist zur Installation durch geschulte Servicetechniker in einem Rack vorgesehen, das den Spezifikationen CEA-310-E (Consumer Electronics Association), IEC 297 (International Electrotechnical Commission) und DIN 41494 (Deutsches Institut für Normung) entspricht. Für jedes in einem Rack montierte System wird ein Rack-Kit benötigt.

Rack-Stabilisatoren



VORSICHT: Bevor Sie Systeme in einem Rack einbauen, installieren Sie bei frei stehenden Racks die vorderen und seitlichen Stabilisatoren und bei Racks, die mit anderen Racks verbunden sind, die vorderen Stabilisatoren. Wenn vor dem Einsetzen von Systemen in einem Rack keine Stabilisatoren angebracht werden, kann das Rack unter Umständen umkippen und Verletzungen verursachen. Befestigen Sie daher immer zuerst die Stabilisatoren, bevor Sie Komponenten im Rack installieren.

Die Stabilisatoren verhindern das Umkippen des Racks. Anweisungen zur Installation und Befestigung der Stabilisatoren finden Sie in der Dokumentation zum Rack-Gestellschrank.

Ablauf der Installation

Bei der Montage eines Rack-Kits sind die Arbeitsschritte in folgender Reihenfolge auszuführen:

- 1 Abnehmen der Rack-Türen
- 2 Markieren des Racks (falls erforderlich)
- 3 Schienensätze im Rack installieren:
 - Installation von RapidRails
 - Installation von VersaRails
- 4 Installation des Systems im Rack
- 5 Verlegen und Verwalten von Datenkabeln
 - Installation der Zugentlastungsstrebe
 - Verwenden der E/A-Kabelzähler
- 6 Anbringen der Rack-Türen

Empfohlene Werkzeuge und Zubehör

- Kreuzschlitzschraubendreher Nr. 2
- Kreppband oder Filzstift zur Markierung der zu verwendenden Montagelöcher
- Zollstock oder Maßband

Inhalt des RapidRails-Rack-Kits

Das RapidRails-Rack-Kit enthält folgende Teile (siehe Abbildung 1-1):

- Ein Paar RapidRails-Gleitschienen
- Eine Zugentlastungsstrebe
- Käfigmuttern (2)
- E/A-Kabelzähler (12)
- Lösbare Kabelbinder (15)
- Vier Kreuzschlitzbundschrauben (10-32 x 0,5 Zoll)



ANMERKUNG: Jedes Rack-Kit enthält die maximale Anzahl Kabelbinder und E/A-Kabelzähler, die für ein vollständig belegtes System benötigt werden.


Abbildung 1-1. Inhalt des RapidRails-Rack-Kits



Inhalt des VersaRails-Rack-Kits

Das VersaRails-Rack-Kit enthält folgende Teile (siehe Abbildung 1-2):

- Ein Paar VersaRails-Gleitschienen
- Eine Zugentlastungsstrebe
- Steckmuttern (2)
- E/A-Kabelzähler (12)
- Lösbare Kabelbinder (15)
- Zwölf Kreuzschlitzbundschauben 10-32 x 0,5 Zoll

 **ANMERKUNG:** Jedes Rack-Kit enthält die maximale Anzahl Kabelbinder und E/A-Kabelzähler, die für ein vollständig belegtes System benötigt werden.


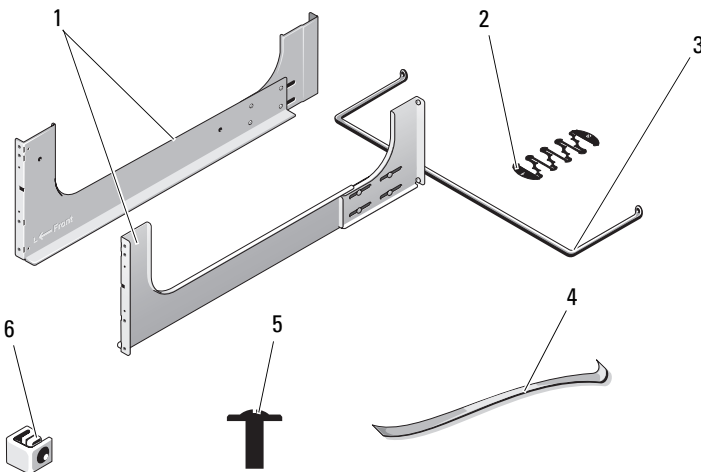
 **ANMERKUNG:** Nichtmetrische Schrauben sind in diesem Dokument durch Größe und Zahl der Windungen pro Zoll gekennzeichnet. So wird z. B. eine Kreuzschlitzschraube Nr. 10 mit 32 Windungen pro Zoll als 10-32-Schraube bezeichnet.

Abbildung 1-2. Inhalt des VersaRails-Rack-Kits



- | | | | | | |
|---|--------------------------|---|--|---|----------------------|
| 1 | VersaRails-Gleitschienen | 2 | E/A-Kabelzähler (12) | 3 | Zugentlastungsstrebe |
| 4 | Lösbare Kabelbinder (15) | 5 | Kreuzschlitzbundschauben 10-32 x 0,5-Zoll (12) | 6 | Steckmuttern (2) |

Abnehmen der Rack-Türen

Siehe Vorgehensweise zum Entfernen der Türen in der Dokumentation zum Rack-Gestellschrank.



VORSICHT: Da die Rack-Türen sehr groß und schwer sind, versuchen Sie niemals, die Türen ohne fremde Hilfe abzunehmen oder einzubauen.



VORSICHT: Verstauen Sie die Türen so, dass niemand verletzt wird, falls sie versehentlich umfallen.

Markieren des Racks

Jedes im Rack installierte System benötigt 10 U (44,45 cm oder 17,5 Zoll) vertikalen Abstand (siehe Abbildung 1-3).



ANMERKUNG: Möglicherweise ist das Rack bereits markiert; in diesem Fall ist kein weiteres Markieren erforderlich.

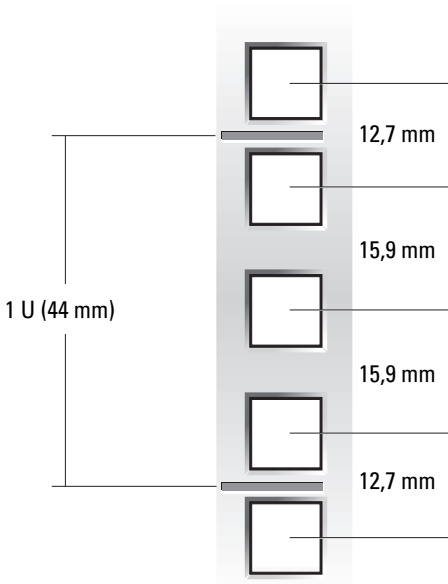


VORSICHT: Wenn Sie mehr als ein System installieren, montieren Sie die Gleitschienen so, dass das erste System in die unterste mögliche Position im Rack zu liegen kommt.

- 1 Bringen Sie auf den vorderen vertikalen Schienen des Racks eine Markierung an der Stelle an, an der sich die Unterseite des Systems befinden soll, das Sie in das Rack einbauen möchten.

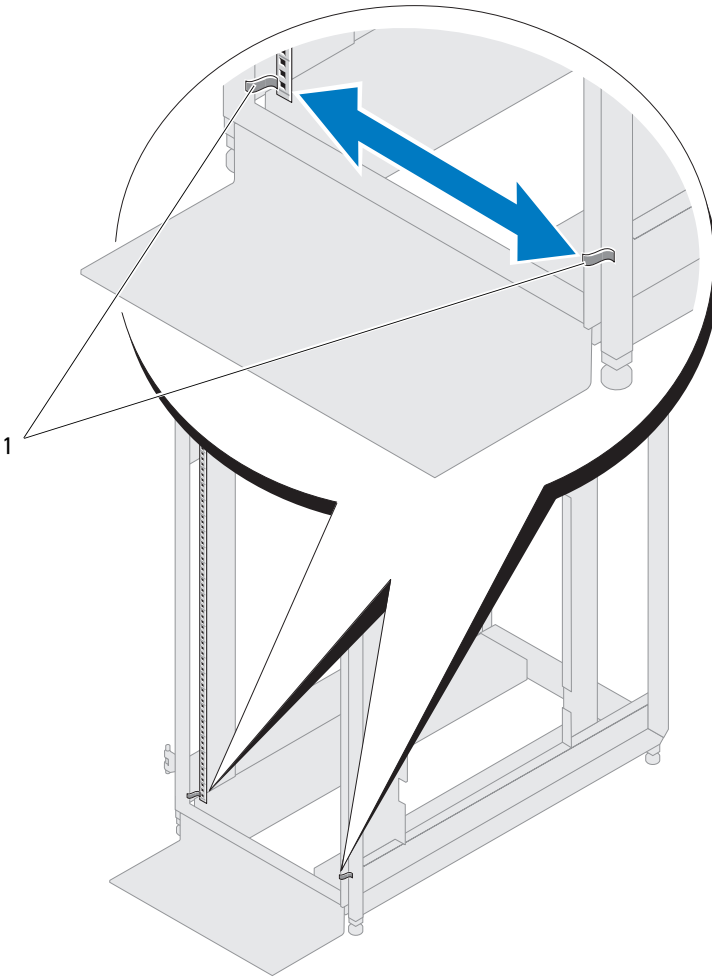
Die Unterkante jeder 1-U-Einheit befindet sich in der Mitte des schmalsten Metallstücks zwischen den Löchern (bei einigen Racks mit einer horizontalen Linie gekennzeichnet, siehe Abbildung 1-3).

Abbildung 1-3. Eine Rack-Einheit



- 2 Markieren Sie die vorderen vertikalen Rack-Schienen mit einem Filzstift oder Kreppband ungefähr 44,45 cm oberhalb Ihrer ursprünglichen Markierung (oder zählen Sie bei Racks nach CEA-310-E-Standard 30 Löcher nach oben). (Wenn Sie Löcher gezählt haben, machen Sie eine Markierung direkt über dem obersten Loch.) Die Markierung bzw. das Kreppband zeigt die spätere Position der Oberkante des Systems an den vertikalen Schienen (siehe Abbildung 1-4).

Abbildung 1-4. Vertikale Schienen markieren



1 Kreppband auf vertikalen Schienen

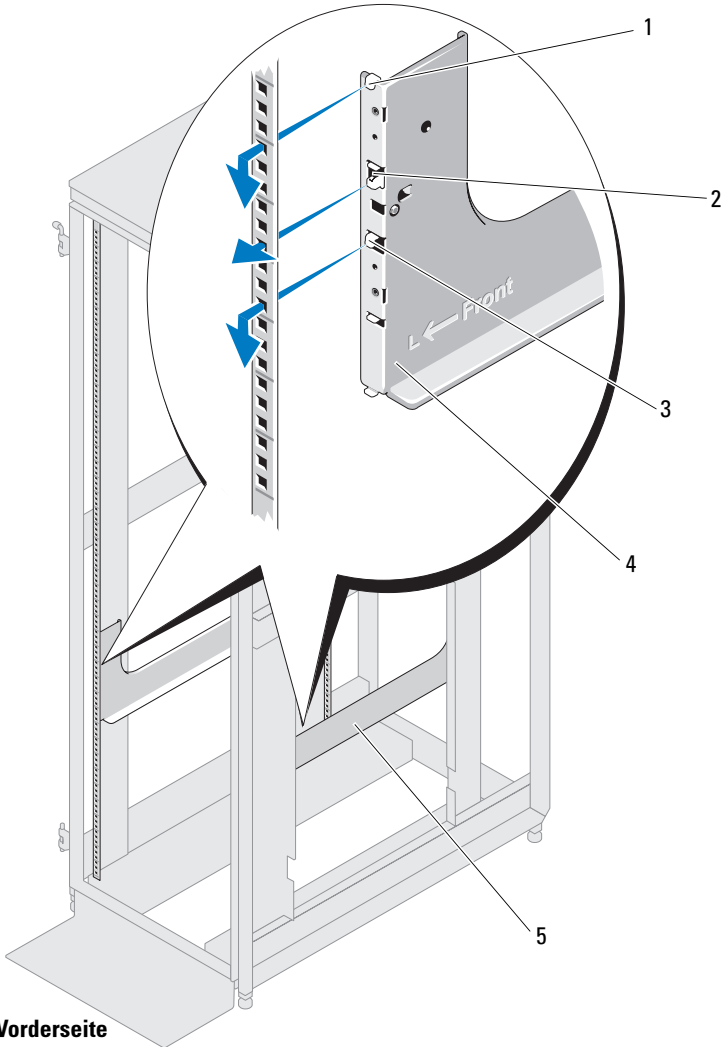
Installation der RapidRails-Gleitschienen

- 1** Setzen Sie eine der RapidRails-Gleitschienen so an der Vorderseite des Rack-Gestellschranks an, dass der Montagehalterungsflansch an der korrekten Stelle am Rack eingreift (siehe Abbildung 1-5).
Der untere Montagehaken am vorderen Montagehalterungsflansch der Gleitschiene sollte von der unteren Markierung gerechnet in das zehnte Loch nach oben auf den vertikalen Schienen eingreifen (siehe Abbildung 1-5).
- 2** Schieben Sie den Schienensatz nach vorne, bis der obere Montagehaken in das rechteckige Loch 4 U unterhalb der oberen Markierungen an der vertikalen Schiene einrastet (siehe Abbildung 1-5).
- 3** Drücken Sie danach auf den Flansch der Montagehalterung, bis die Montagehaken in den Rechtecklöchern sitzen und der Verriegelungsknopf einrastet (siehe Abbildung 1-5).
- 4** Ziehen Sie an der Rückseite des Rack-Gestellschranks den Flansch der Montagehalterung nach hinten, bis die Montagehaken in die entsprechenden Löcher eingreifen. Drücken Sie dann den Flansch nach unten, bis die Montagehaken in den Rechtecklöchern sitzen und der Verriegelungsknopf einrastet.
- 5** Wiederholen Sie Schritt 1 bis Schritt 4 für die Montageschiene auf der anderen Seite des Racks.



ANMERKUNG: Achten Sie darauf, dass die Schienen auf jeder Rack-Seite in der gleichen Höhe an den vertikalen Schienen befestigt werden.

Abbildung 1-5. RapidRails-Gleitschienen installieren



Rack-Vorderseite

- | | | | | | |
|---|--|---|-------------------|---|----------------------|
| 1 | Oberer Montagehaken | 2 | Drucktaste | 3 | Unterer Montagehaken |
| 4 | Montagehalterungsflansch der Gleitschienen | 5 | Gleitschienen (2) | | |

Installation der VersaRails-Gleitschienen

- 1 Setzen Sie eine VersaRails-Gleitschiene so an der Vorderseite des Rack-Gestellschranks an, dass sich der zugehörige Montagehalterungsflansch zwischen den Markierungen (oder nummerierten Stellen) am Rack befindet (siehe Abbildung 1-6).

Die Löcher an der Vorderseite der Montagehalterung sollten mit den Löchern zwischen den Markierungen an der vorderen vertikalen Schiene übereinstimmen.



ANMERKUNG: Die VersaRails-Schienen beanspruchen nur die unteren 6 U des Bereichs von 10 U, der für dieses System benötigt wird.

- 2 Machen Sie das runde Montageloch bei der pfeilförmigen Aussparung an den VersaRails ausfindig (siehe Abbildung 1-6).
- 3 Befestigen Sie den vorderen Montageflansch der Gleitschiene mit zwei Kreuzschlitzbundschraben (10-32 x 0,5 Zoll) an der vorderen vertikalen Schiene. Siehe Abbildung 1-6.
 - Die obere Montageschraube sollte im mittleren Rundloch der sechsten U-Einheit eingesetzt werden, wobei von der Unterseite des 10-U-Bereichs gezählt wird.
 - Die untere Montageschraube sollte im mittleren Rundloch der ersten U-Einheit eingesetzt werden, von der Unterseite an gezählt.



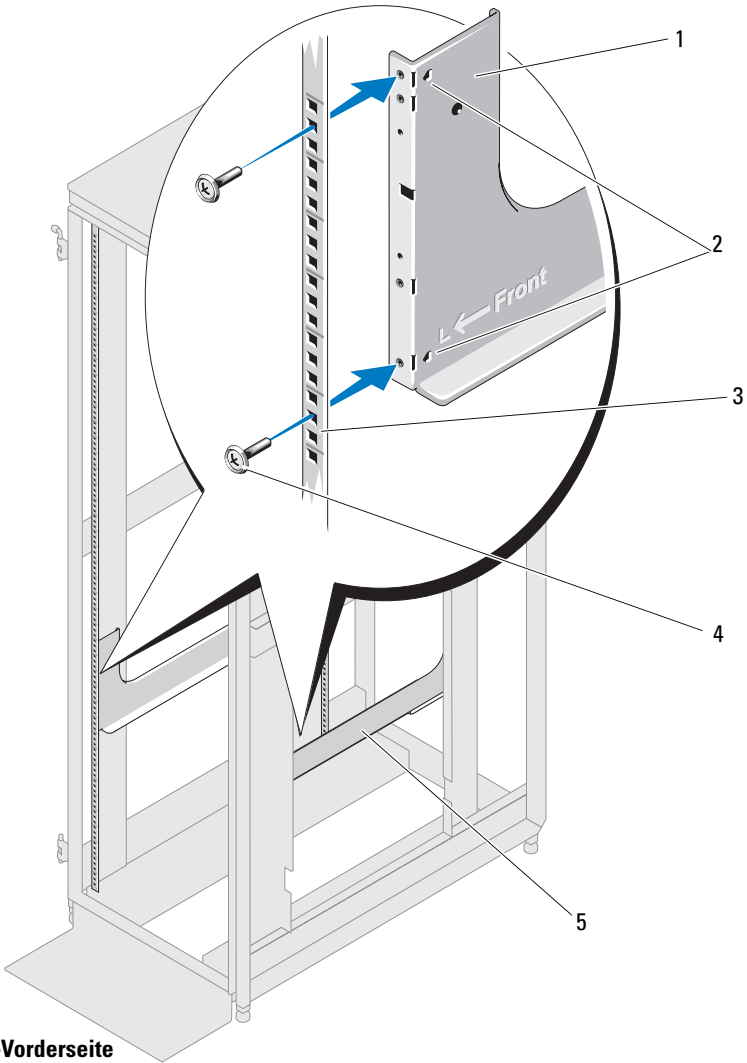
ANMERKUNG: Die zwei Rundlöcher im mittleren Bereich der VersaRails sichern das System im Rack. Um die VersaRails zu montieren, verwenden Sie nur die Rundlöcher an den pfeilförmigen Aussparungen (siehe Abbildung 1-6).

- 4 Ziehen Sie den Montagehalterungsflansch auf der Rack-Rückseite nach hinten, bis seine Montagelöcher mit den rechteckigen Löchern auf der hinteren vertikalen Schiene übereinstimmen.
- 5 Befestigen Sie den hinteren Montageflansch der Gleitschiene mit zwei Kreuzschlitzbundschraben (10-32 x 0,5 Zoll) an der hinteren vertikalen Schiene.
- 6 Wiederholen Sie Schritt 1 bis Schritt 5 für die Montageschiene auf der anderen Seite des Racks.



ANMERKUNG: Achten Sie darauf, dass die Schienen auf jeder Rack-Seite in der gleichen Höhe an den vertikalen Schienen befestigt werden.

Abbildung 1-6. VersaRails-Schiebeeinheiten installieren



Rack-Vorderseite

- | | | | | | |
|---|--|---|-------------------------------|---|--------------------|
| 1 | Montagehalterungsflansch der Gleitschienen | 2 | Pfeilförmige Aussparungen (2) | 3 | Vertikale Schienen |
| 4 | Kreuzschlitzschrauben (2) | 5 | Gleitschienen (2) | | |

Installation des Systems im Rack








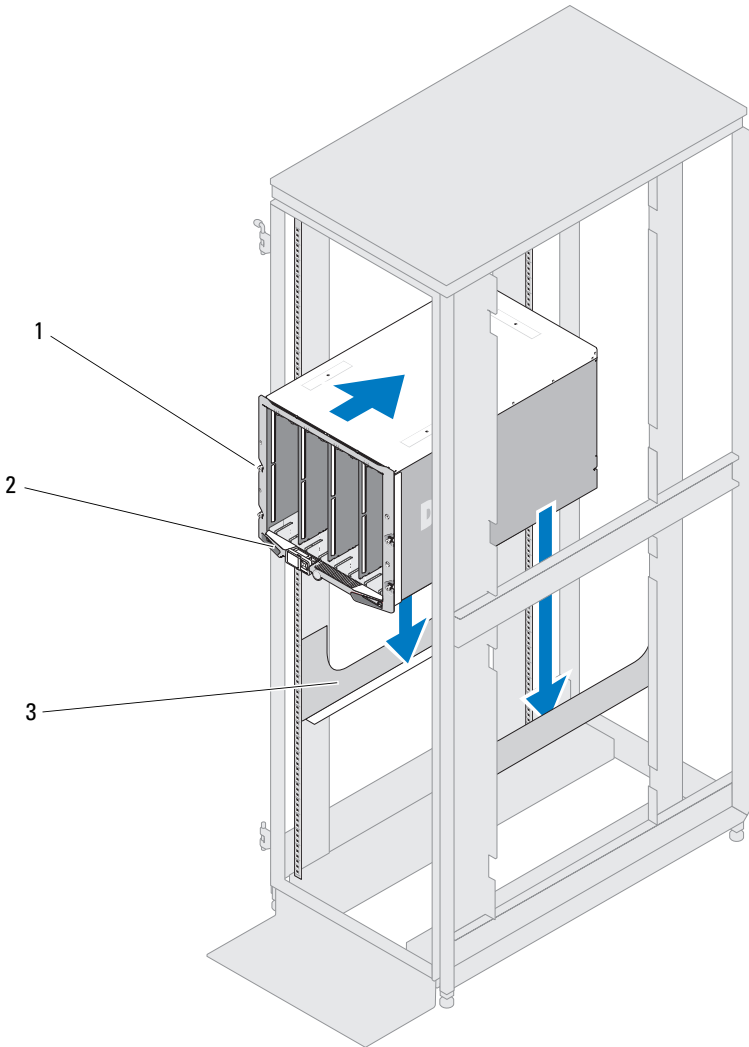
-  **VORSICHT:** Wenn Sie mehr als ein System installieren, installieren Sie das erste System in der untersten möglichen Position im Rack.
 -  **VORSICHT:** Ziehen Sie niemals mehr als eine Komponente gleichzeitig aus dem Rack.
 -  **VORSICHT:** Da das System groß und schwer ist, sollten Sie niemals versuchen, das System ohne fremde Hilfe im Rack zu installieren.
 -  **VORSICHT:** Beim Anheben des Systems sollten mindestens zwei Personen beteiligt sein.
 -  **HINWEIS:** Zum Einbau von Systemen im Rack wird der Einsatz eines Hebetisches empfohlen, insbesondere bei weiter oben liegenden Gleitschienen.
 -  **HINWEIS:** Wenn Sie das System im Rack anheben und installieren, fassen Sie nicht am LCD-Modul auf der Vorderseite an, da dieses Teil empfindlich ist. Siehe Abbildung 1-7.
 -  **ANMERKUNG:** Wenn Sie ein System transportieren, das bereits im Rack installiert ist, stellen Sie sicher, dass die zwei Stabilisatorwinkel angebracht sind.
 - Machen Sie die unteren Klemmmutterlöcher auf beiden Seiten des Racks direkt unter der Standardposition für die Zugentlastungsstrebe ausfindig.
 - Die Standardposition für die Zugentlastungsstrebe und die Befestigungspunkte für die Stabilisatorwinkel können Sie Abbildung 1-8 entnehmen.
- 1 Entfernen Sie alle Blades, rückseitigen Module, Netzteile und Lüfter, bevor Sie das System im Rack installieren.
 - 2 Heben Sie das System in die Einbauposition am Rack.
Beim Anheben des Systems sollten mindestens zwei Personen beteiligt sein.
 - 3 Führen Sie das System ins Rack und senken Sie es auf die Gleitschienen ab (siehe Abbildung 1-7).
 - 4 Ziehen Sie die Rändelschrauben auf der Gehäusefrontplatte fest.
 - 5 Setzen Sie die Blades, rückseitigen Module, Netzteile und Lüfter wieder ein.

Abbildung 1-7. System im Rack installieren



- 1 Bündelschrauben (4) 2 LCD-Modul 3 Gleitschienen (2)

Verlegen und Verwalten von Kabeln

Um eine bestmögliche Wartbarkeit und einen optimalen Luftstrom zum System zu ermöglichen, halten Sie sich an die Richtlinien in den folgenden Vorgehensweisen, um die Kabelkonfiguration Ihres Systems zu verlegen und zu handhaben. Das System umfasst die folgenden Merkmale zum Kabelmanagement:

- Eine Zugentlastungsstrebe und lösbare Kabelbinder, mit denen der Bereich direkt hinter dem System von Kabeln weitgehend freigehalten wird; hiermit können Sie die Kabelbündel bewegen, wenn Module entfernt werden müssen (siehe Abbildung 1-8).
- Ein E/A-Kabelzähler, mit dem die Reihenfolge der Kabel bewahrt wird, in der sie mit dem System verbunden sind. Das korrekte Verfolgen von Kabelverbindungen erleichtert das Entfernen und Einsetzen von E/A-Modulen (siehe Abbildung 1-9).

Installation der Zugentlastungsstrebe



ANMERKUNG: Dell empfiehlt, die Zugentlastungsstrebe auf der Rückseite des Systems zu installieren und die lösbaren Kabelbinder zu verwenden, um die Kabel zu verwalten und bei allen Kabelkonfigurationen eine bestmögliche Zugentlastung zu gewährleisten.



ANMERKUNG: Wenn Sie Systeme in einem Rack installieren und Kabel von der Oberseite des Racks verlegen, installieren Sie die einzelnen Zugentlastungsstreben bei allen Systemen in der Standardposition, außer beim untersten System im Rack. Installieren Sie die mit diesem System gelieferte Zugentlastungsstrebe an einer der U-Einheiten auf der Oberseite des Racks, um die Kabel von oberhalb der installierten Systeme zu verlegen. Wenn bei der Installation von Systemen die Kabel nur von der Unterseite des Racks verlegt werden, sollten alle Zugentlastungsstreben an den entsprechenden Standardpositionen befestigt werden. (Beispiele für das Verlegen von oberhalb und von unterhalb eines Systems finden Sie in Abbildung 1-8 und Abbildung 1-9.)

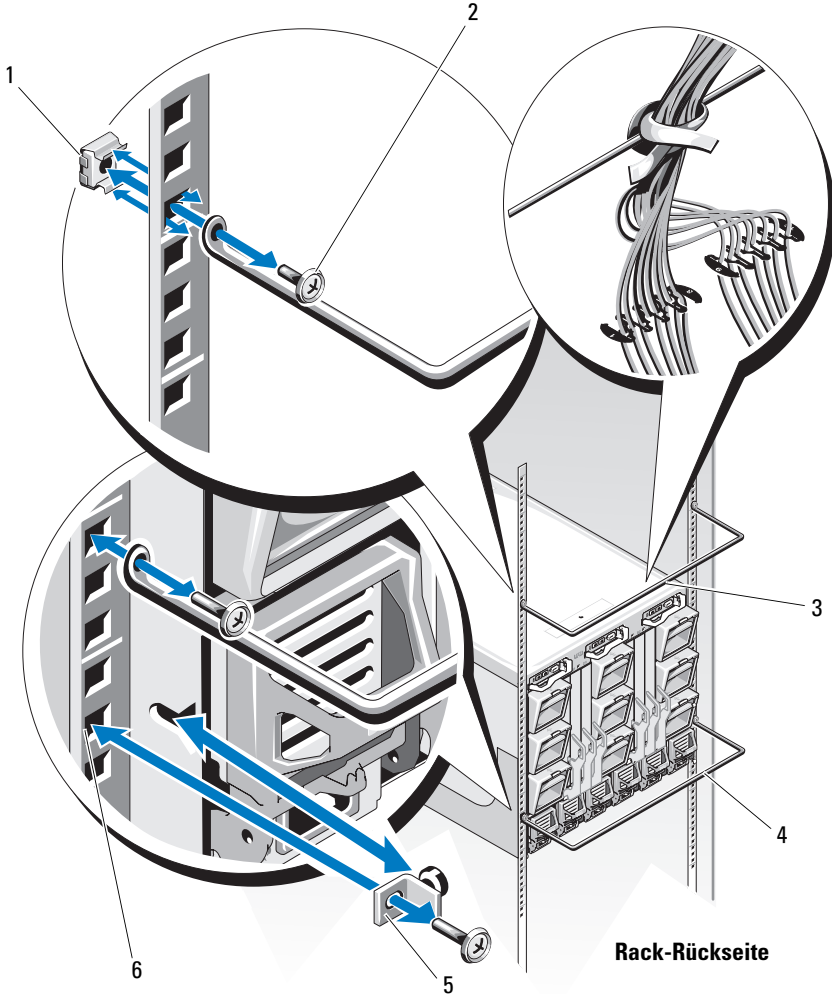
- 1 Bevor Sie alle Kabel am System anschließen, identifizieren Sie die Zugentlastungsstrebe und entsprechende Befestigungsschrauben zum System (siehe Abbildung 1-1 und Abbildung 1-2).



ANMERKUNG: Wenn Sie die Zugentlastungsstrebe in der optionalen Position über dem System installieren, müssen Sie an jedem Befestigungspunkt zwei entsprechende Käfigmuttern auf der Rückseite der Schiene befestigen (siehe Abbildung 1-8).

- 2 Machen Sie auf der Rückseite des Systems auf der linken und rechten vertikalen Schiene die dritte U-Einheit ausfindig, gezählt vom unteren Rand des Systems aus. Jede U-Einheit umfasst drei Löcher. Installieren Sie die Zugentlastungsstrebe im obersten Loch der U-Einheit (Klemmmutterloch). Siehe Abbildung 1-8.

Abbildung 1-8. Installation der Zuglastungsstrebe




Rack-Rückseite


- | | | |
|--|-----------------------------|---|
| 1 Käfigmuttern (2) | 2 Befestigungsschrauben (2) | 3 Optionale Zuglastungsstrebe (für oberseitige Verkabelung) |
| 4 Standardposition für Zuglastungsstrebe | 5 Rack-Stabilisatorwinkel | 6 Untere Klemmutter für Rack-Stabilisatorwinkel |

- 3 Bevor Sie die Kabel mit den jeweiligen Anschlüssen verbinden, befolgen Sie die Anweisungen im Abschnitt „Anschließen und Verlegen der Kabel“ auf Seite 77 und halten Sie sich an Abbildung 1-9.

Anschließen und Verlegen der Kabel


 **HINWEIS:** Stellen Sie sicher, dass jedes Kabelbündel, das Sie verbinden, über die Zugentlastungsstrebe kaskadiert und somit für einen bestmöglichen Luftstrom und eine optimale Wartbarkeit des Systems gesorgt ist.

- 1 Legen Sie separate Kabelbündel für jede logische Gruppierung von maximal acht E/A-Kabeln oder Netzstromkabeln an (siehe Abbildung 1-9).
- 2 Verbinden Sie die obersten E/A-Kabel, wobei Sie die Kabel über der Zugentlastungsstrebe in eine Reihenfolge bringen, beginnend mit dem obersten Anschluss in der Gruppe (siehe Abbildung 1-9).
- 3 Bevor Sie die Kabelbündel mit den Kabelbindern an der Zugentlastungsstrebe sichern, können Sie die Kabel nach Abschnitt „Verwenden der E/A-Kabelzähler“ auf Seite 77 verwalten und organisieren.

 **ANMERKUNG:** Abbildung 1-9 zeigt eine vollständige Systemkonfiguration. Wenn Sie eine große Zahl von Kabeln verwalten, sollten Sie zunächst jede Kabelgruppe identifizieren, die Kabelzähler anbringen und danach die einzelnen Kabelgruppen mit den Kabelbindern bündeln.

Verwenden der E/A-Kabelzähler

- 1 Die E/A-Kabelzähler sind im Lieferumfang des Systems enthalten (siehe Abbildung 1-1 und Abbildung 1-2). Ein Kabelzähler dient dazu, die Reihenfolge der Kabelanschlüsse zu bewahren und die entsprechenden Kabel geordnet zu halten, um das Entfernen und Austauschen von Systemmodulen zu vereinfachen.
- 2 Wählen Sie für Gruppen von acht Kabeln die Seite mit der Nummerierung Eins und Acht. Für eine Gruppe von 16 Kabeln benötigen Sie zwei Zähler mit der Nummerierung 1 und 8 sowie 9 und 16 (siehe Abbildung 1-9).

 **ANMERKUNG:** Jeder Kabelzähler ist auf der einen Seite mit 1 und 8 und auf der anderen Seite mit 9 und 16 nummeriert. Sie brauchen einen Zähler für einen Satz von acht Kabeln und zwei Zähler für einen Satz von 16 Kabeln.

- 3 Halten Sie den Zähler horizontal, um jedes der kaskadierenden Kabel direkt über dem Kontaktpunkt an der Zugentlastungsstrebe zu befestigen (siehe Abbildung 1-9).

- 4 Jedes Segment des Zählers umfasst drei Rastpositionen. Jeder Zähler kann eine Reihe von acht Kabeln in einer von drei Dicken aufnehmen. Beispielsweise sitzen große Datenkabel in der größten Rastposition des Segments und kleine Glasfaserkabel in der kleinsten Rastposition (siehe Abbildung 1-9).
- 5 Identifizieren Sie die Rastgrößen am Zähler und befestigen Sie die einzelnen Kabel in der Gruppe entsprechend. Ordnen Sie die Kabel in der gleichen Reihenfolge an, in die sie am System angeschlossen werden. (Wenn Sie beispielsweise eine Kolonne von acht Kabeln haben, befestigen Sie das oberste Kabel im ersten Segment usw.) (Siehe Abbildung 1-9.)



ANMERKUNG: Je nach Kabelkonfiguration können Sie die Kabel auf verschiedene Weise gruppieren und ordnen, solange nicht mehr als acht Kabel gruppiert und an einem Zähler befestigt sind.

Abbildung 1-9 zeigt 16 Kabel, die mit zwei Zählern gruppiert und geordnet sind: einer mit den oberen acht Kabeln von beiden Kolonnen und der andere mit den unteren acht Kabeln von beiden Kolonnen. Beim gleichen Beispiel können Sie auch jede Kolonne von acht Kabeln gruppieren und ordnen (nicht dargestellt).

Sichern der Kabel an der Zugentlastungsstrebe

- 1 Die Kabelbinder sind im Lieferumfang des Systems enthalten (siehe Abbildung 1-1 und Abbildung 1-2).
- 2 Positionieren Sie auf der Rückseite des Systems den Kabelbinder über dem Kabelbündel an der Zugentlastungsstrebe (siehe Abbildung 1-9).



ANMERKUNG: Je nach Systemkonfiguration bestehen verschiedene Möglichkeiten, die Kabel mit den Kabelbindern zu umschließen und an der Zugentlastungsstrebe zu sichern.

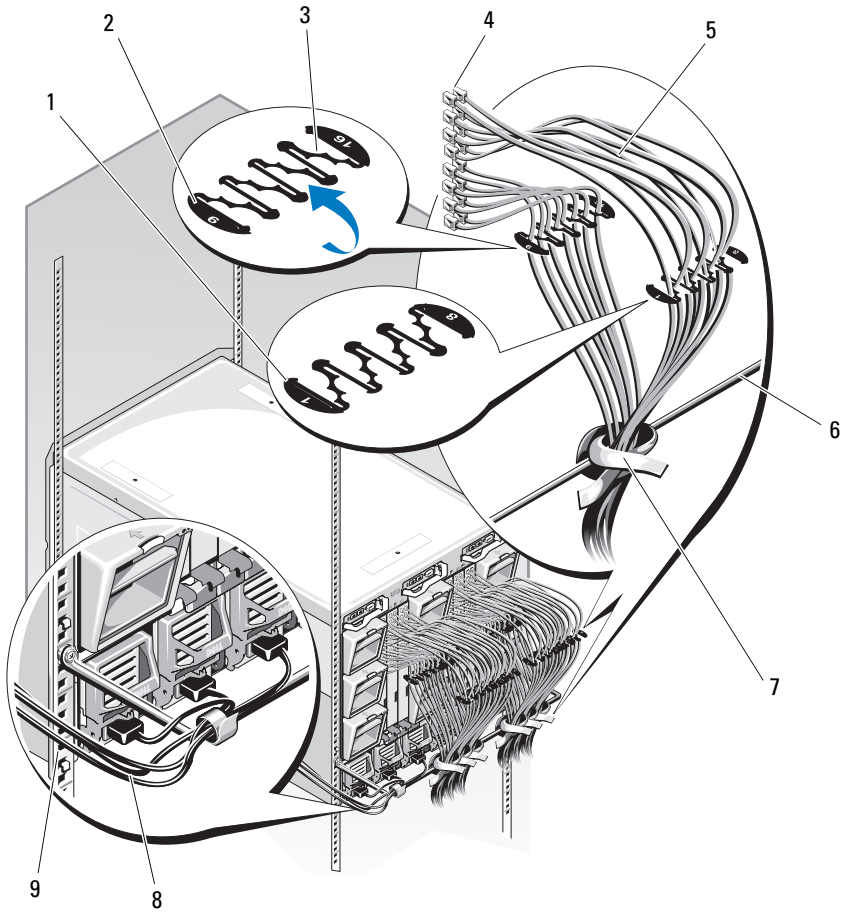
- 3 Um die Kabel an der Strebe zu sichern, umschließen Sie das Kabelbündel und die Zugentlastungsstrebe zweimal mit dem Kabelbinder und schließen Sie ihn vor den Kabeln (siehe Abbildung 1-9).

- 4 Die Kabel sollten fest genug umschlossen werden, um gebündelt zu bleiben und dennoch auf der Zugentlastungsstrebe seitlich beweglich zu sein. Dies gewährleistet, dass sich Kabelbündel leicht von E/A-Modulen wegbewegen lassen, um diese zu entfernen oder zu installieren.



ANMERKUNG: Stellen Sie sicher, dass Sie alle Netzstromkabel von beiden Seiten des Systems mit Kabelbindern an der Zugentlastungsstrebe sichern, wie in Abbildung 1-9 gezeigt. Anweisungen zum Anbringen der Netzstromkabelhalteklammer, die für zusätzliche Zugentlastung sorgt, erhalten Sie im *Handbuch zum Einstieg*.

Abbildung 1-9. Kabel am Rack sichern



- | | | | | | |
|---|----------------------------------|---|---------------------------------|---|-----------------------------|
| 1 | E/A-Kabelzähler (Segmente 1-8) | 2 | E/A-Kabelzähler (Segmente 9-16) | 3 | Kabelrasten (3 pro Segment) |
| 4 | Stecker von Glasfaserkabeln (16) | 5 | Glasfaserkabel (16) | 6 | Zugentlastungsstrebe |
| 7 | Lösbarer Kabelbinder (15) | 8 | Netzstromkabel | 9 | Vertikale Schiene |

Wiederanbringen der Rack-Türen

Siehe Vorgehensweise zum Anbringen der Türen in der Dokumentation zum Rack-Gestellschrank.

Damit ist die Installation des Systems im Rack abgeschlossen.

Stichwortverzeichnis

E

E/A-Kabelzähler, 77

I

Inhalt des RapidRails-Kits, 63

Installation

System im Rack, 72

K

Kabel

Bündeln, 77

Sichern, 78

Verbindungen, 77

Verlegen, 74

Verwalten, 74

Zugentlastungsstrebe, 78

Kabel verlegen, 74

Kabel verwalten, 74

Kit-Inhalt

RapidRails, 63

VersaRails, 64

M

Markieren des Racks, 65, 72

R

Rack

Markieren, 65, 72

Rack-Anforderungen für
VersaRails, 62

Rack-Stabilisatoren, 62

S

Sicherheitshinweise, 59

Stabilisatoren, 62

T

Türen

Einsetzen, 81

Entfernen, 65

V

VersaRails

Kit-Inhalt, 64

Vorsichtsmaßnahmen bei
der Rack-Montage, 61

W

Werkzeuge und Zubehör

Vier-Stützen-Kits, 63

Z

Zähler

Kabel, 77

Zugentlastungsstrebe, 78

Installation, 74

ラック取り付けガイド

メモ、注意、警告



メモ： コンピュータを使いやすくするための重要な情報を説明しています。



注意： ハードウェアの損傷やデータの損失の可能性を示し、その危険を回避するための方法を説明しています。



警告： 物的損害、けが、または死亡の原因となる可能性があることを示しています。

本書の内容は予告なく変更されることがあります。
© 2007 すべての著作権は Dell Inc. にあります。

Dell Inc. の書面による許可のない複製は、いかなる形態においても厳重に禁じられています。

本書に使用されている商標：Dell、DELL ロゴ、RapidRails、および VersaRails は Dell Inc. の商標です。

本書では、必要に応じて上記以外の商標や会社名が使用されている場合がありますが、それらの商標や会社名は、一切 Dell Inc. に帰属するものではありません。

目次

安全にお使いいただくための注意	89
安全について：システムのラックへの取り付け	89
取り付けに関する一般的なガイド	91
作業を開始する前に	91
安全に関する重要な注意	92
VersaRails のラック要件	92
ラックスタビライザ	92
取り付け手順	93
推奨する工具および備品	93
RapidRails ラックキットの内容	93
VersaRails ラックキットの内容	94
ラック扉の取り外し	95
ラックへの印付け	96
RapidRails アセンブリの取り付け	98
VersaRails アセンブリの取り付け	100
ラックへのシステムの取り付け	102
ケーブルの配線と管理	104
ストレインリリーフバーの取り付け	104
ケーブルの接続と束ね	106
ラック扉の取り付け	109
索引	111


安全にお使いいただくための注意

ご自身の身体の安全を守り、システムおよび作業環境を保護するために、以下の安全に関するガイドラインに従ってください。安全および規制の詳細については、システムに付属の『製品情報ガイド』を参照してください。保証に関する情報は、『サービス&サポートのご案内』を参照してください。

安全について：システムのラックへの取り付け

ラックの安定性や安全性に関して、以下の点にご注意ください。また、特定の注意文および手順については、システムおよびラック付属のラック取り付けマニュアルを参照してください。

システムはラックの一部とみなします。したがって、「コンポーネント」には、さまざまな周辺機器やサポートハードウェアと同様に、システムも含まれます。

 **警告：**単体ラックでは前面と側面のスタビライザ、連結ラックでは前面のスタビライザを取り付けてからラックにシステムを取り付けてください。スタビライザを正しく取り付けずにシステムをラックに取り付けると、ラックが転倒し、けがをするおそれがあります。必ずスタビライザを取り付けてから、ラックにコンポーネントを取り付けてください。

ラックにシステム/コンポーネントを取り付けた後は、一度に複数のコンポーネントをラックのスライドアセンブリを使って引き出さないでください。重みでラックが転倒し、大けがをするおそれがあります。

 **メモ：**お使いのシステムは、独立型のユニットとして、また、カスタマーラックキットで構成される Dell™ ラックキャビネットに取り付けるコンポーネントとして、その安全性が保証されています。それ以外のラックキャビネットにシステムおよびラックキットを取り付ける場合は、安全性が保証されません。最終的に組み合わせたシステムおよびラックについては、ユーザーの責任において、適用される安全基準および地域の電気規約の要件に適合することを確認してください。デルでは、このような組み合わせに関連するいかなる保証責任も負いません。

- システムラックキットは、トレーニングを受けたサービス技術者がラックに取り付けます。キットを別のラックに取り付ける場合は、そのラックがデルのラック仕様に適合していることを確認してください。



警告：大型ラックを1人で移動しないでください。ラックの高さと重さを考慮して、少なくとも2人以上でラックを移動することをお勧めします。


- ラックで作業をする前に、スタビライザがラックに固定されて床面に伸び、ラックの全重量が床面にかかっていることを確認してください。ラックで作業をする前に、ラックが1つの場合は前面と側面のスタビライザ、複数のラックを連結する場合は前面のスタビライザを取り付けます。
- ラックには必ず下から上へと、最も重いものから順に設置してください。
- コンポーネントをラックから引き出す前に、ラックが水平で安定していることを確認してください。
- レールリリースラッチを押してコンポーネントをラックから出し入れするときは、スライドレールに指をはさまれないように注意してください。
- ラックに電力を送る AC 分岐回路に過重電流を流さないでください。ラックの総負荷が分岐回路定格の 80 パーセントを超えないようにしてください。
- ラック内のコンポーネントが十分に通気されることを確認してください。
- ラックに取り付けたコンポーネントの作業中に、他のコンポーネントの上に乗ったり、足をかけたりしないでください。


取り付けに関する一般的なガイド


本書は、ラックキャビネットに1台または複数のシステムを取り付ける作業を行う、トレーニングを受けたサービス技術者向けの手順書です。RapidRails™ 構成は、角型の穴を使用するメーカーのラックキャビネットに、工具を使わずに取り付けることができます。VersaRails™ 構成は、角型または丸型の穴を使用する、業界規格に適合しているほとんどのキャビネットに取り付けることができます。ラックキットは、ラックキャビネットに取り付けるシステム1台ごとに1セットずつ必要です。

作業を開始する前に

システムをラックに取り付ける作業を始める前に、89ページの「安全にお使いいただくための注意」と、『製品情報ガイド』に記載された安全に関する注意をよく読んでください。


 **警告：**複数のシステムをラックに取り付ける場合は、1台のシステムの取り付け手順を完了してから、次のシステムの取り付けに進んでください。


 **警告：**ラックキャビネットはサイズが非常に大きく重量もありますが、キャスターで簡単に移動できるようになっています。このキャスターにはブレーキがないため、ラックキャビネットを移動するときは十分な注意が必要です。ラックキャビネットを別の場所に移動するときは、水平調節用の脚を収納してください。長い傾斜面、急勾配のある場所、スロープなど、バランスが取りにくい場所にはキャビネットを設置しないでください。水平調節用の脚を伸ばしてキャビネットを支え、キャビネットが動かないようにしてください。

 **メモ：**システム自体の設置方法については、102ページの「ラックへのシステムの取り付け」を参照してください。


安全に関する重要な注意

システムをラックに取り付けるときは、次の各項の安全に関する注意を遵守してください。


 **警告：**作業者は、自分自身と周囲の人々を保護するために、本書の手順に必ず従ってください。本システムは非常に重量があり大きいため、ご自身や周囲の人々のけがを防ぐために準備と計画を適切に行うことが重要です。これは、特にシステムをラックの高い位置に取り付ける場合に重要になります。

 **警告：**別のシステム用に設計されたラックキットのコンポーネントは取り付けしないでください。お使いのシステム用のラックキットのみをお使いください。別のシステム用のラックキットを使用すると、システムが損傷し、ご自身や周囲の人々がけがをするおそれがあります。

VersaRails のラック要件

 **注意：**VersaRails ラックキットは、全米家電協会（CEA）規格 CEA-310-E、国際電気標準会議（IEC）297、ドイツ協業規格（DIN）41494 の仕様を満たすラックに、トレーニングを受けたサービス技術者が取り付けできるように設計されています。ラックキットは、ラックに取り付けるシステム 1 台につき 1 セットずつ必要です。

ラックスタビライザ

 **警告：**単体ラックでは前面と側面のスタビライザ、連結ラックでは前面のスタビライザを取り付けてからラックにシステムを取り付けてください。スタビライザを正しく取り付けずにシステムをラックに取り付けると、ラックが転倒し、けがをするおそれがあります。必ずスタビライザを取り付けてから、ラックにコンポーネントを取り付けてください。

スタビライザはラックの転倒を防ぎます。スタビライザを取り付けて床に固定する手順については、ラックキャビネットに付属のマニュアルを参照してください。

取り付け手順

ラックキットを取り付けるには、次の手順を番号順に行います。

- 1 ラック扉の取り外し
- 2 ラックへの印付け（必要な場合）
- 3 ラックへのレールアセンブリの取り付け：
 - RapidRails の取り付け
 - VersaRails の取り付け
- 4 ラックへのシステムの取り付け
- 5 データケーブルの配線と管理
 - ストレインリリーフバーの取り付け
 - I/O ケーブル連番クリップの使用
- 6 ラック扉の取り付け

推奨する工具および備品

- #2 プラスドライバ
- マスキングテープまたはフェルトペン（取り付け穴に印を付けるときに使用）
- 定規または巻尺

RapidRails ラックキットの内容

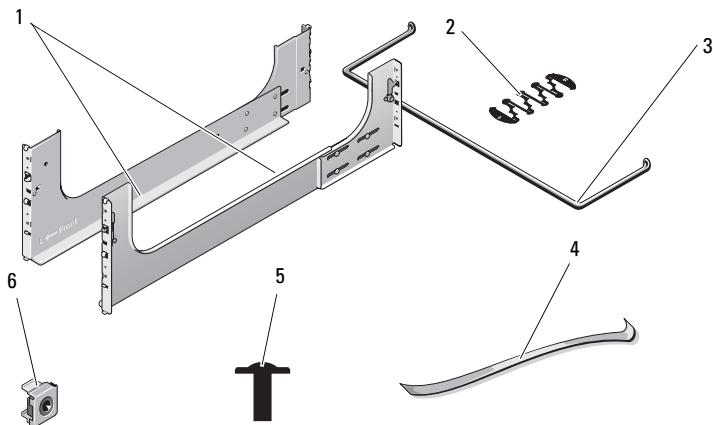
RapidRails ラックキットには、以下の部品が含まれています（図 1-1 を参照）。

- RapidRails アセンブリ 1 対
- ストレインリリーフバー（1）
- ケージナット（2）
- I/O ケーブル連番クリップ（12）
- ベルクロタイラップ（15）
- 10-32 x 0.5 インチフランジヘッドプラスネジ（4）



メモ：どのラックキットにも、完全装備時のシステムに必要な最大数のベルクロタイラップと I/O ケーブル連番クリップが含まれています。

図 1-1 RapidRails ラックキットの内容




- | | | | | | |
|---|---------------------|---|---|---|------------------|
| 1 | RapidRails
アセンブリ | 2 | I/O ケーブル連番クリップ (12) | 3 | ストreinリリース
バー |
| 4 | ベルクロタイラップ (15) | 5 | フランジヘッド
10-32 x 0.5 インチ
プラスネジ (4) | 6 | ケージナット (2) |

VersaRails ラックキットの内容

VersaRails ラックキットには、以下の部品が含まれています (図 1-2 を参照)。

- VersaRails アセンブリ 1 対
- ストレインリリースバー (1)
- クリップナット (2)
- I/O ケーブル連番クリップ (12)
- ベルクロタイラップ (15)
- 10-32 x 0.5 インチフランジヘッドプラスネジ (12)

 **メモ：**どのラックキットにも、完全装備時のシステムに必要な最大数のベルクロタイラップと I/O ケーブル連番クリップが含まれています。


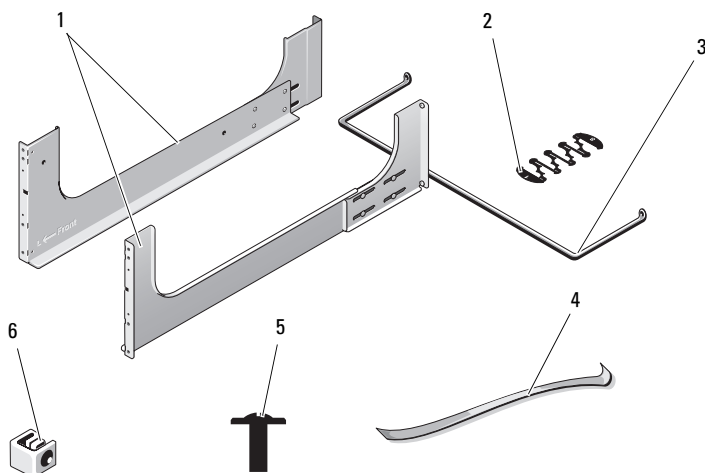
 **メモ：**本書では、メートル法規格外のネジはサイズとインチ当たりのネジ山数で表記されています。たとえば 1 インチに 32 本のネジ山がある #10 プラスネジは、10-32 ネジと表記します。

図 1-2 VersaRails ラックキットの内容



- | | | | | | |
|---|---------------------|---|--|---|-----------------|
| 1 | VersaRails
アセンブリ | 2 | 1/0 ケーブル連番ク
リップ (12) | 3 | ストレインリリ
ーフバー |
| 4 | ベルクロタ
イラップ (15) | 5 | フランジヘッド
10-32 x 0.5 インチ
プラスネジ (12) | 6 | クリップナット (2) |


ラック扉の取り外し


ラックキャビネットに付属のマニュアルに記載されている扉の取り外し手順を参照してください。

- ⚠ **警告：**ラックキャビネットの扉の大きさと重さを考慮して、取り付けおよび取り外しは1人では行わないでください。
- ⚠ **警告：**取り外した扉は、不意に倒れてけがをしないような場所に保管してください。

ラックへの印付け

ラックに取り付ける各システムの上下に 10 U (44.45 cm) の間隔が必要です (図 1-3 を参照)。

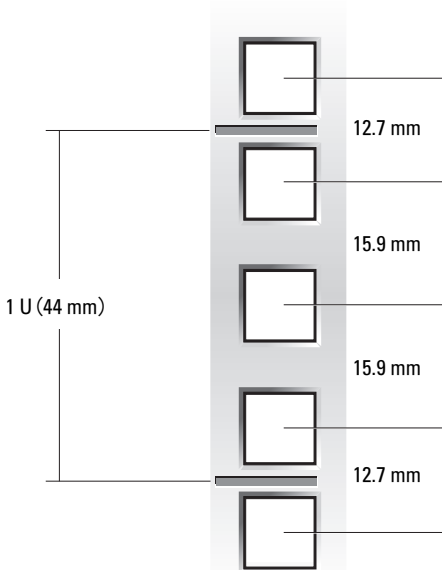
 **メモ**：ラックにすでに印が付けられている場合は、この手順は必要ありません。

 **警告**：複数のシステムを取り付ける場合は、ラックの最下段に 1 台目のシステムを取り付けられるように、レールアセンブリを取り付けてください。

- 1 ラックの前面垂直レール上で、ラックキャビネットに取り付けるシステムの底部の位置を決め、印を付けます。

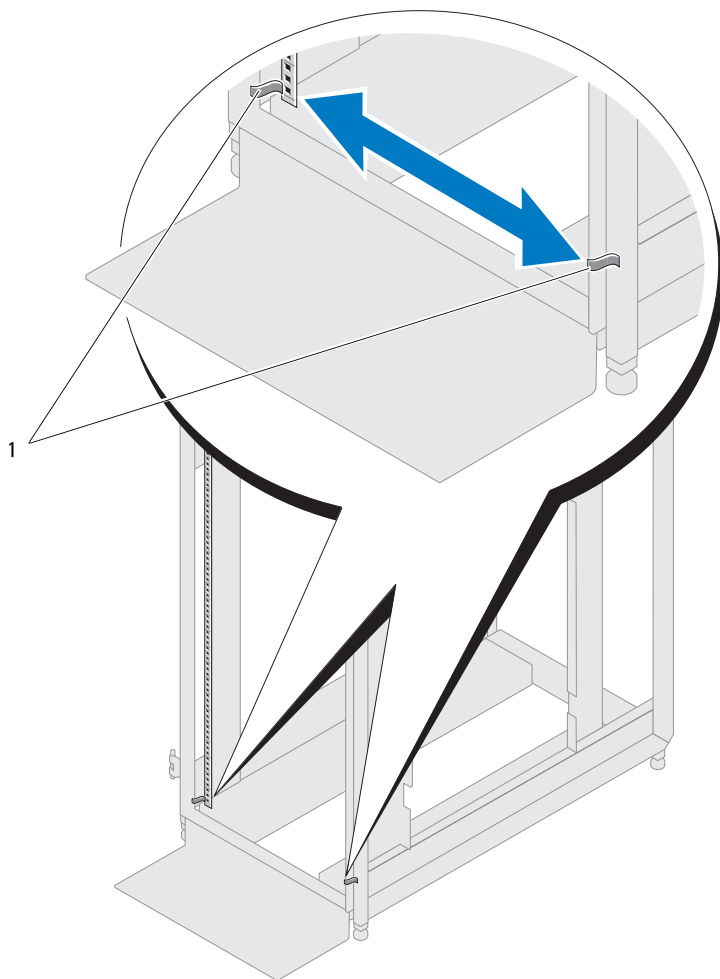
底部にあたる各 1 U スペースの位置は、穴と穴の間が狭い方の金属部分の中央です (横線で印が付いているラックキャビネットもあります。図 1-3 を参照)。

図 1-3 1 ラックユニット (1 U)



- ラックの前部垂直レールに、最初に印を付けた場所から約 44.45 cm 上(CEA-310-E 規格に適合したラックであれば、30 個上の穴)にフェルトペンやマスキングテープで印を付けます(穴の数で測った場合は一番上の穴の真上に印を付けます)。垂直レール上のこのマークまたはテープが、システムの上端の位置を示します(図 1-4 を参照)。

図 1-4 垂直レールの印付け



1 垂直レールに貼ったテープ

RapidRails アセンブリの取り付け


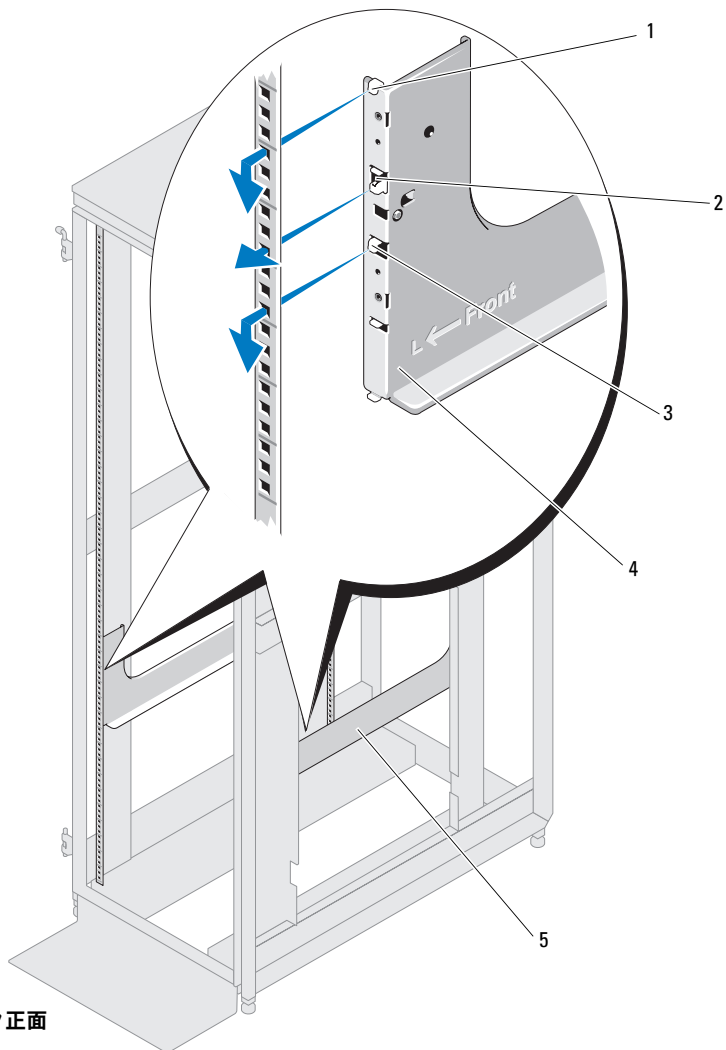
- 1 ラックキャビネットの前面で、RapidRails アセンブリの取り付けブラケットのフランジが、ラックの適切な場所に収まるように、1つ目のスライドアセンブリの位置を合わせます（図 1-5 を参照）。
レールアセンブリの前部取り付けブラケットフランジの下部取り付けタブを、垂直レール上の下側の印から上方向に数えて 10 番目の穴に差し込みます（図 1-5 を参照）。
 - 2 レールアセンブリを正面に向かって押し、垂直レールに付けた上の印またはテープの 4 U スペース下の角型の穴に上部取り付けタブを差し込みます（図 1-5 を参照）。
 - 3 次に 2 つの取り付けタブが両方とも角型の穴に入り、押しボタンがカチッという音がして飛び出すまで、取り付けブラケットのフランジを下に押しします（図 1-5 を参照）。
 - 4 キャビネットの背面で、取り付けブラケットのフランジを後ろに引いて、取り付けタブを対応する穴に差し込み、フランジを下に押しして取り付けタブを角型の穴に固定します。完全に固定されるとプッシュボタンがカチッと飛び出します。
 - 5 ラックの反対側のレールアセンブリで、手順 1 ～ 手順 4 を繰り返します。
-  **メモ**：左右の垂直レールで、取り付け用レールが同じ高さに取り付けられていることを確認します。

図 1-5 RapidRails アセンブリの取り付け




ラック正面

- | | | | | | |
|---|-----------------------|---|--------------|---|----------|
| 1 | 上部取り付けタブ | 2 | 押しボタン | 3 | 下部取り付けタブ |
| 4 | レールアセンブリ取り付けブラケットフランジ | 5 | レールアセンブリ (2) | | |


VersaRails アセンブリの取り付け

- 1 ラックキャビネットの前面で、VersaRails アセンブリの取り付けブラケットのフランジが、ラックに付けた上下の印またはテープ（または数えた穴の位置）の間に収まるように、スライドアセンブリの位置を合わせます（図 1-6 を参照）。

取り付けブラケットの前面の穴を、前面垂直レールに付けた印の間の穴に合わせます。

 **メモ：** VersaRails は、このシステムに必要な 10 U スペースのうち、下の 6 U のみを占有します。

- 2 切り欠きの矢印によって指し示されている VersaRails 上の丸い取り付け穴の位置を確認します（図 1-6 を参照）。
- 3 2 本の 10-32 x 0.5 インチフランジヘッドプラスネジを前面取り付けフランジに取り付け、レールアセンブリを前面垂直レールに固定します。図 1-6 を参照してください。
 - 上部取り付けネジは、10 U スペースの一番下から数えて 6 U（6 番目の U）スペースの中央の穴に取り付けます。
 - 下部取り付けネジは、一番下から数えて 1 U（最初の U）スペースの中央の穴に取り付けます。

 **メモ：** VersaRails 上の中央部分にある 2 つの丸穴は、システムをラックに固定するためのものです。VersaRails の組み立てには、2 つの切り欠きの矢印によって指し示されている丸穴のみを使用してください（図 1-6 を参照）。

- 4 キャビネットの背面から、取り付けブラケットフランジを後ろに引いて、取り付け穴を背面垂直レールのそれぞれ対応する穴に合わせます。
- 5 2 本の 10-32 x 0.5 インチフランジヘッドプラスネジを後部取り付けフランジに取り付け、レールアセンブリを背面垂直レールに固定します。
- 6 ラックの反対側のレールアセンブリで、手順 1 ~ 手順 5 を繰り返します。


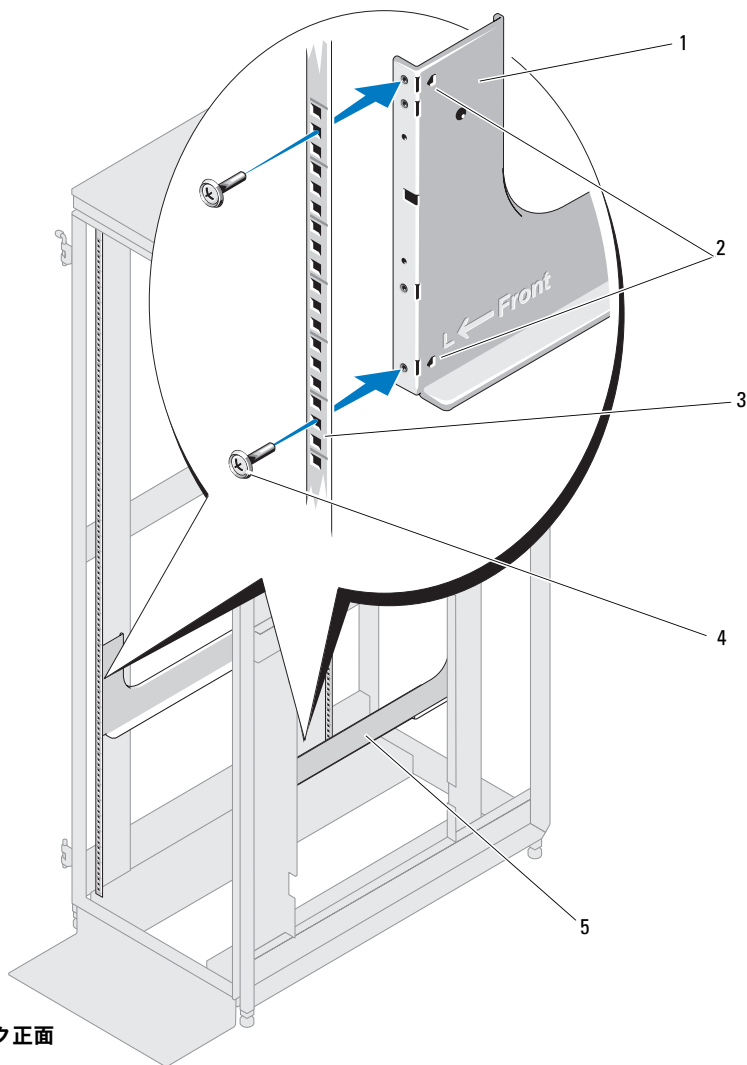
 **メモ：** 左右の垂直レールで、取り付け用レールが同じ高さに取り付けられていることを確認します。


図 1-6 VersaRails レールアセンブリの取り付け




ラック正面

- | | | | | | |
|---|---------------------------|---|-------------|---|-------|
| 1 | レールアセンブリ取り
付けブラケットフランジ | 2 | 切り欠きの矢印(2) | 3 | 垂直レール |
| 4 | プラスネジ(2) | 5 | レールアセンブリ(2) | | |

ラックへのシステムの取り付け

 **警告：**複数のシステムを取り付ける場合は、1台目のシステムをラックの使用可能な最下段に取り付けてください。

 **警告：**一度に複数のコンポーネントをラックから引き出さないでください。

 **警告：**システムの大きさと重さを考慮して、システムのラックへの取り付けは1人では行わないでください。

 **警告：**システムを持ち上げるときは3人以上で作業することをお勧めします。

 **注意：**システムをラックに取り付ける際に、レールアセンブリが腰の位置よりも高い場合は特に、リフトテーブルを使用することをお勧めします。

 **注意：**システム前面のLCDモジュールは壊れやすいため、システムを持ち上げてラックに取り付ける際に、その部分を持たないでください。
図 1-7 を参照してください。

 **メモ：**ラックに取り付け済みのシステムを移動する場合は、2つのラックスタビライザ取り付けブラケットが所定の位置にあることを確認してください。

- ストレインリリーフバー用の既定位置のすぐ下にあるラック側面のクリンチナット穴（下側）を確認します。
- ストレインリリーフバーの既定位置とスタビライザ取り付けブラケット用の取り付け穴を確認するには、図 1-8 を参照してください。

- 1 システムをラックに取り付ける前に、ブレード、背面モジュール、電源ユニット、ファンのすべてを取り外します。
- 2 システムをラックに取り付ける位置まで持ち上げます。
システムを持ち上げるときは3人以上で作業することをお勧めします。
- 3 システムをラック内に移動し、レールアセンブリ上に下ろします（図 1-7 を参照）。
- 4 シャーシ前面パネルの蝶ネジを締めます。
- 5 ブレード、背面モジュール、電源ユニット、およびファンを取り付けます。

図 1-7 ラックへのシステムの取り付け



1 蝶ネジ(4)

2 LCD モジュール


3 レールアセンブリ(2)


ケーブルの配線と管理

作業がしやすいように、また十分な通気を確保するために、ケーブルの配線と管理を行う際には以下の手順に書かれている指針に従ってください。お使いのシステムには、以下のケーブル管理機能が備わっています。


- ストレインリリーフバーとベルクロタイラップ。システムのすぐ後ろの場所のケーブルが整理され、モジュールを取り外す必要がある場合にケーブルの束を移動できます（図 1-8 を参照）。
- I/O ケーブル連番クリップ。ケーブルの接続順序を管理できます。ケーブル接続をそのままの状態に保つことができるので、I/O モジュールの取り外しと交換の際に便利です（図 1-9 を参照）。

ストレインリリーフバーの取り付け

 **メモ：**デルでは、どんなケーブル構成の場合も、システムの背面にストレインリリーフバーを取り付け、このバーとベルクロタイラップを併用してケーブルを管理し、保護することをお勧めします。

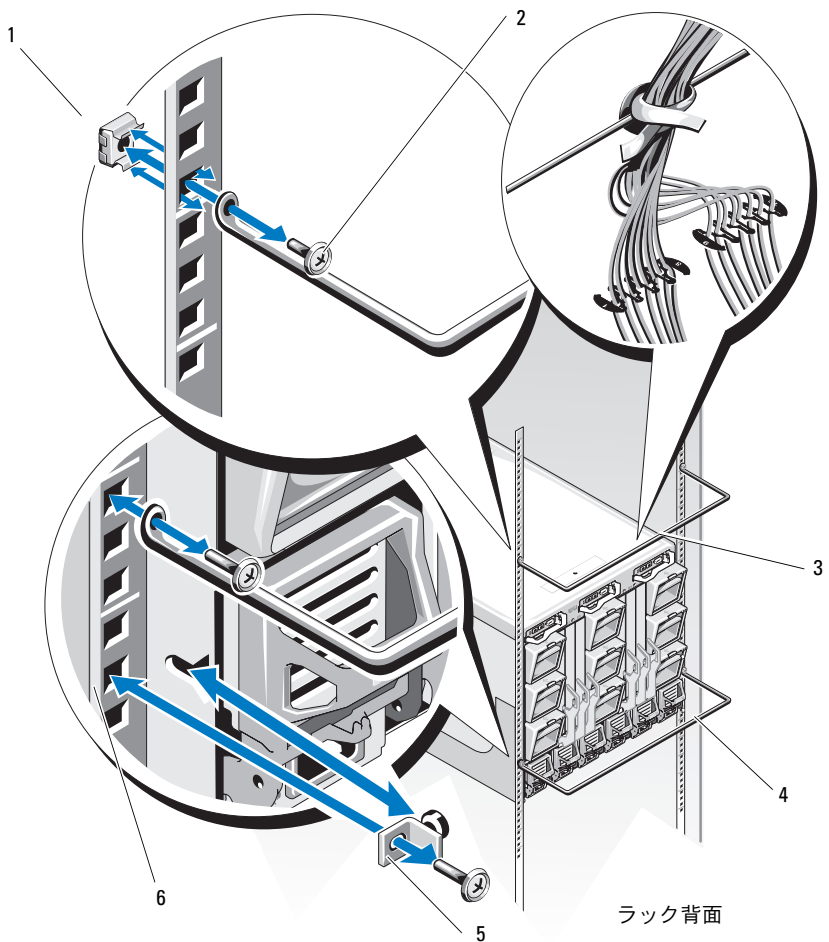
 **メモ：**ラックにシステムを取り付け、ラックの一番上からケーブルを配線する場合は、ラック内の一番下のシステムを除くすべてのシステムで、既定位置にストレインリリーフバーを取り付けます。システムに付属のストレインリリーフバーをラック上部の U スペースのいずれかに取り付け、取り付けたシステムの上から配線することでケーブルを管理します。システムの取り付けとケーブルの配線をラックの一番下からのみ行う場合は、すべてのストレインリリーフバーをそれぞれの既定位置に取り付ける必要があります（システム上下のケーブル配線の例は、図 1-8 および図 1-9 を参照してください）。

- 1 システムにすべてのケーブルを接続する前に、システムに付属のストレインリリーフバー、および対応する取り付けネジを確認してください（図 1-1 および図 1-2 を参照）。

 **メモ：**システムより上の任意の位置にストレインリリーフバーを取り付ける場合は、各取り付け穴に対応する 2 つのケージナットをレールの背面に取り付ける必要があります（図 1-8 を参照）。

- 2 システム背面の左右の垂直レール上で、システムの下端から 3 番目の U スペースを確認します。各 U スペースには 3 つの穴があります。既定のストレインリリーフバーを U スペースの刻印された上部の穴に取り付けます（クリンチナット穴）。図 1-8 を参照してください。


図 1-8 ストレインリリーフバーの取り付け




- | | | | | | |
|---|-------------------|---|---------------------------|---|-------------------------------------|
| 1 | ケージナット (2) | 2 | 取り付けネジ (2) | 3 | オプションのストレインリリーフバー (上方へのケーブル接続用) |
| 4 | 既定のストレインリリーフバーの位置 | 5 | ラックスタビライザの SHIPPING ブラケット | 6 | ラックスタビライザの SHIPPING ブラケットの下側クリンチナット |

3 ケーブルをそれぞれのコネクタに接続する前に、106 ページの「ケーブルの接続と束ね」の手順と 図 1-9 を参照してください。

ケーブルの接続と束ね


 **注意**：作業がしやすいように、また十分な通気を確保するために、接続するケーブルのそれぞれの束がストレインリリーフバーの上で必ずカスケード状になるようにします。

- 1 最大 8 本の I/O ケーブルまたは電源ケーブルのそれぞれの論理的なグループについて、ケーブルの束を別に作ります（図 1-9 を参照）。
- 2 グループ内の一番上のコネクタから順序どおりに、ストレインリリーフバーの上でカスケード状になる配列で、最上部の I/O ケーブルを接続します（図 1-9 を参照）。
- 3 ベルクロタイラップを使用してそれぞれのケーブルの束をストレインリリーフバーに固定する前に、106 ページの「I/O ケーブル連番クリップの使用」の手順に従ってケーブルを組織的に管理することができます。

 **メモ**：完全装備のシステム構成を 図 1-9 に示します。管理するケーブルの本数が多い場合は、最初に各ケーブルグループを確認し、連番クリップを取り付け、ベルクロタイラップを使用して各ケーブルグループを束ねることをお勧めします。

I/O ケーブル連番クリップの使用

- 1 システムに付属の I/O ケーブル連番クリップを確認します（図 1-1 および 図 1-2 を参照）。連番クリップの目的は、ケーブルコネクタとその各ケーブルの順序をそのままの状態に保ち、システムモジュールの取り外しと交換を容易にすることです。
- 2 ケーブル 8 本から成る各グループについては、1 および 8 と刻印された側を選びます。ケーブル 16 本から成るグループについては、1 および 8 と刻印された連番クリップと、9 および 16 と刻印された連番クリップの計 2 つが必要です（図 1-9 を参照）。

 **メモ**：連番クリップにはいずれも、表側に 1 および 8、裏側に 9 および 16 と刻印されています。8 本のケーブル組には 1 つ、16 本のケーブル組には 2 つの連番クリップが必要です。

- 3 連番クリップの向きを水平にして、カスケード状の各ケーブルをストレインリリーフバーとの接点の真上に取り付けます（図 1-9 を参照）。

- 4 連番クリップの各セグメントにある3つの切り込みを確認します。各連番クリップは、3種類のケーブルの太さに対応しており、8本のケーブルを留めることができます。たとえば、太いデータケーブルはセグメント内の最大の切り込みに、細い光ファイバーケーブルはセグメント内の最小の切り込みに固定できます（図 1-9 を参照）。
- 5 連番クリップの切り込みのサイズを確認し、グループの各ケーブルを固定します。システムに接続されているのと同じ順序でケーブルを配列します。たとえば、8本1組のケーブルがある場合は、一番上のケーブルを最初のセグメントに留めます（図 1-9 を参照）。



メモ：グループ化して各連番クリップに留めるケーブルが8本の場合、ケーブル構成に応じてケーブルのグループ化と順序をさまざまに変えることができます。

図 1-9 では、16本のケーブルを2つの連番クリップを使用してグループ化して整理しています。1つは両方の縦列からの上側8本のケーブルを、もう1つは両方の縦列からの下側8本のケーブルを留めています。これと同じ例で、8本のケーブルから成る各縦列をグループ化し、整理することもできます（図には示してありません）。

ケーブルをストレインリリーフバーに固定する方法

- 1 システムに付属のベルクロタイラップを確認します（図 1-1 および図 1-2 を参照）。
- 2 システムの背面に回って、タイラップをケーブルの束に巻きつけ、ストレインリリーフバーに固定します（図 1-9 を参照）。



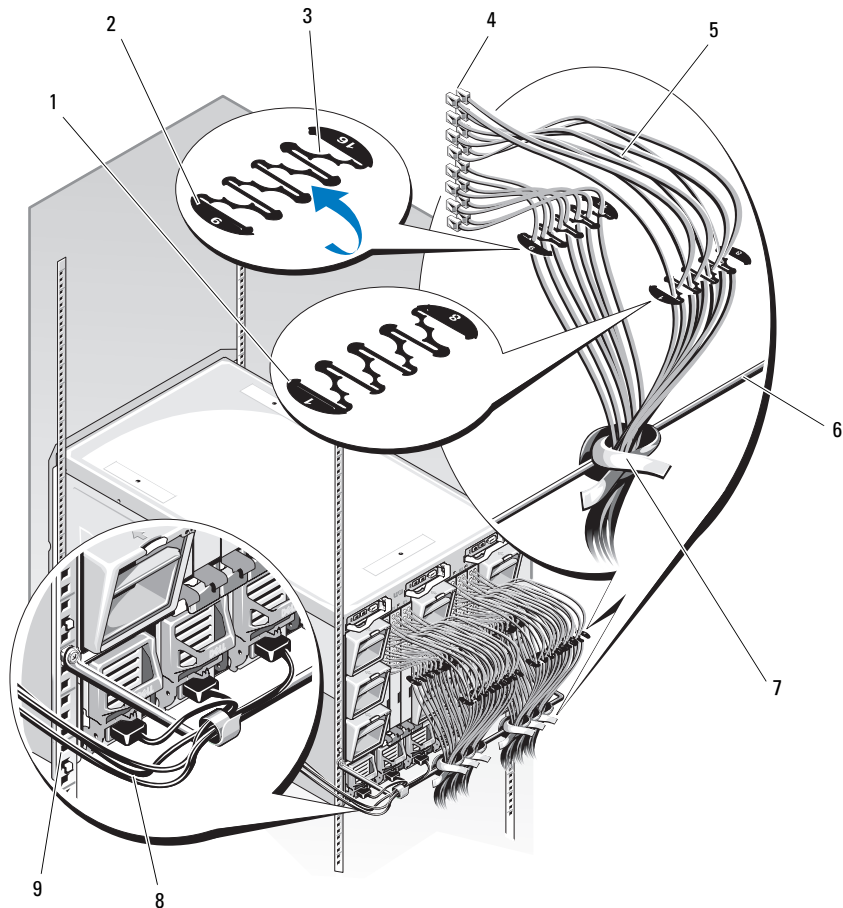
メモ：システム構成に応じて、ベルクロタイラップを使用してケーブルの束をストレインリリーフバーに固定するケーブルのまとめ方はさまざまです。

- 3 ケーブルをバーに固定するには、タイラップをバーの背面に通し、次にケーブルの束に再び巻きつけ、タイラップをケーブルの前でクロスさせて、ケーブルの束をまとめます（図 1-9 を参照）。
- 4 ケーブルの束がばらばらにならないようにしっかりと巻きつけますが、ストレインリリーフバー上でスライドできる程度の余裕は残しておきます。この手順を行っておけば、I/O モジュールの取り外しと取り付けの際にケーブルの束を容易に動かすことができ、ケーブルが邪魔にならずに済みます。



メモ：図 1-9 に示すように、システムの側面からストレインリリーフバーに配線されたすべての電源ケーブルを、ベルクロタイラップを使用して必ず固定してください。電源ケーブル固定クリップを取り付けると、ケーブルがさらに保護されます。取り付けの手順については、『はじめに』を参照してください。

図 1-9 ラックへのケーブルの固定



- | | | | | | |
|---|--------------------------|---|---------------------------|---|------------------|
| 1 | I/O ケーブル連番クリップ(セグメント1～8) | 2 | I/O ケーブル連番クリップ(セグメント9～16) | 3 | 切り込み(各セグメントに3種類) |
| 4 | 光ファイバーケーブルコネクタ(16) | 5 | 光ファイバーケーブル(16) | 6 | ストレインリリーフバー |
| 7 | ベルクロタイラップ(15) | 8 | 電源ケーブル | 9 | 垂直レール |

ラック扉の取り付け

ラックキャビネットに付属のマニュアルに記載されている扉の取り付け手順を参照してください。

これでラックへのシステムの取り付けは完了です。

索引

I

I/O ケーブル連番クリップ, 106

R

RapidRails キットの内容, 93

V

VersaRails

キットの内容, 94-95

VersaRails のラック要件, 92

あ

安全にお使いいただくための注意, 89

き

キットの内容

RapidRails, 93

VersaRails, 95

け

ケーブル

管理, 104

固定, 107

ストレインリリーフバー, 107

接続, 106

束ね, 106

配線, 104

ケーブルの管理, 104

ケーブルの配線, 104

こ

工具と備品

4 柱型キット, 93

す

スタビライザ, 92

ストレインリリーフバー, 107

取り付け, 104

と

扉

- 取り外し, 95
- 取り付け, 109

取り付け

- システムをラックへ, 102

ら

ラック

- 印付け, 96, 102

ラックスタビライザ, 92

ラック取り付け時の注 意事項, 91

ラックへの印付け, 96, 102

れ

連番クリップ

- ケーブル, 106

Guía de instalación del rack



Notas, avisos y precauciones



NOTA: una NOTA proporciona información importante que le ayudará a utilizar mejor el ordenador.



AVISO: un AVISO indica la posibilidad de daños en el hardware o la pérdida de datos, e informa de cómo evitar el problema.



PRECAUCIÓN: un mensaje de PRECAUCIÓN indica el riesgo de daños materiales, lesiones o incluso la muerte.

**La información contenida en este documento puede modificarse sin previo aviso.
© 2007 Dell Inc. Todos los derechos reservados.**

Queda estrictamente prohibida la reproducción de este documento en cualquier forma sin la autorización por escrito de Dell Inc.

Marcas comerciales utilizadas en este texto: *Dell*, el logotipo de *DELL*, *RapidRails* y *VersaRails* son marcas comerciales de Dell Inc.

Otras marcas y otros nombres comerciales pueden utilizarse en este documento para hacer referencia a las entidades que los poseen o a sus productos. Dell Inc. renuncia a cualquier interés sobre la propiedad de marcas y nombres comerciales que no sean los suyos.

Contenido

Instrucciones de seguridad	117
SEGURIDAD: Montaje de sistemas en rack	117
Instrucciones generales de instalación	118
Antes de comenzar	119
Información de seguridad importante	119
Requisitos del rack para VersaRails	119
Pies estabilizadores del rack	120
Tareas de instalación	120
Herramientas y material recomendados	120
Contenido del kit de rack RapidRails	121
Contenido del kit de rack VersaRails	122
Extracción de las puertas del rack	123
Marcado del rack	123
Montaje de los ensamblajes RapidRails	126
Instalación de los ensamblajes VersaRails	128
Instalación del sistema en el rack	130
Colocación y tendido de cables	132
Instalación de la barra liberadora de tensión	132
Conexión y agrupación de cables	135
Colocación de las puertas del rack	139
Índice	141

Instrucciones de seguridad

Siga estas pautas de seguridad para garantizar su propia seguridad y proteger el sistema y el entorno de trabajo frente a posibles daños. Para obtener información completa sobre seguridad y normativas, consulte la *Guía de información del producto* que se entrega con el sistema. La información sobre la garantía puede estar incluida en este documento o constar en un documento aparte.

SEGURIDAD: Montaje de sistemas en rack

Tenga en cuenta las precauciones siguientes para garantizar la estabilidad y la seguridad del rack. Consulte también la documentación de instalación del rack incluida con el sistema y el rack para ver los procedimientos y la información de precaución.

Los sistemas se consideran componentes de un rack. Por lo tanto, “componente” se refiere a cualquier sistema, así como a los distintos periféricos o hardware compatible.



PRECAUCIÓN: antes de instalar sistemas en un rack, instale los estabilizadores frontales y laterales para racks individuales, o bien los estabilizadores frontales para varios racks unidos. Si no se instalan estabilizadores antes de realizar el montaje de los sistemas, el rack puede volcarse, y ello puede producir lesiones personales. Por lo tanto, instale siempre los estabilizadores antes de instalar los componentes en el rack.

Una vez que haya instalado el sistema o los componentes en el rack, no extraiga nunca del rack más de un componente a la vez por sus ensamblajes deslizantes. El peso de más de un componente extendido puede hacer que vuelque el rack y producir lesiones graves.



NOTA: este sistema está homologado en cuanto a seguridad como unidad independiente y como componente para uso en un armario rack Dell™ utilizando el kit de rack del cliente. La instalación del sistema y el kit de rack en cualquier otro armario rack no ha sido aprobada por ninguna agencia de seguridad. Es su responsabilidad asegurarse de que la combinación final de sistema y rack cumpla los estándares de seguridad correspondientes y los requisitos de códigos de electricidad locales. Dell declina toda responsabilidad y garantía relacionadas con tales combinaciones.

- Los kits de rack están concebidos para ser montados en un rack por técnicos de servicio cualificados. Si instala el kit en cualquier otro rack, asegúrese de que éste cumpla las especificaciones de un rack Dell.



PRECAUCIÓN: no mueva los racks sin la ayuda de otra persona. Debido a la altura y al peso del rack, se recomienda un mínimo de dos personas para realizar dicha tarea.

- Antes de realizar cualquier operación en el rack, asegúrese de que los estabilizadores estén fijados al rack, que lleguen hasta el suelo y que todo el peso del rack descansa sobre el suelo. Instale los estabilizadores frontales y laterales para un único rack, o los estabilizadores frontales para varios racks unidos.
- Cargue siempre el rack desde la parte inferior hacia arriba, colocando en primer lugar el elemento más pesado.
- El rack debe estar nivelado y estabilizado antes de extraer un componente.
- Tenga cuidado al presionar los pestillos de liberación de los rieles de componentes y al extraer o introducir un componente del rack, puesto que sus dedos pueden quedar aprisionados en los rieles deslizantes.
- No sobrecargue el circuito de alimentación de CA que suministra energía al rack. La carga total del rack no debe ser superior al 80 por ciento de la corriente nominal del circuito.
- Los componentes del rack deben disponer de una ventilación suficiente.
- No suba sobre ningún componente ni lo utilice como escalón para realizar operaciones en los componentes de un rack.

Instrucciones generales de instalación

En esta guía de instalación se proporcionan instrucciones para técnicos de servicio especializados que instalen uno o más sistemas en un armario rack. La configuración RapidRails™ se puede instalar sin herramientas en todos los armarios rack del fabricante que tengan orificios cuadrados, y la configuración VersaRails™ se puede instalar en la mayoría de los armarios rack estándar que tengan orificios cuadrados o redondos. Para cada sistema que se montará en el armario rack se precisa un kit de rack.

Antes de comenzar

Antes de montar el sistema en el rack, lea detenidamente la sección “Instrucciones de seguridad” en la página 117 y las instrucciones de seguridad que se incluyen en la *Guía de información del producto* para obtener información adicional.



PRECAUCIÓN: cuando instale varios sistemas en un rack, realice todos los procedimientos para el sistema actual antes de instalar el sistema siguiente.



PRECAUCIÓN: los armarios rack pueden ser muy pesados, pero se mueven con facilidad gracias a las ruedas. Dichos armarios no tienen frenos. Tenga el máximo cuidado cuando mueva el armario rack. Cuando traslade el armario rack, pliegue primero los pies niveladores. Evite rampas o inclinaciones largas o pronunciadas para evitar perder el control del armario. Extienda los pies niveladores como apoyo y para evitar que el armario se desplace.



NOTA: para obtener instrucciones sobre la instalación del sistema, consulte “Instalación del sistema en el rack” en la página 130.

Información de seguridad importante

Cuando instale el sistema en el rack, tenga en cuenta las precauciones de seguridad que se indican en los apartados siguientes.



PRECAUCIÓN: debe seguir estrictamente los procedimientos que se explican en este documento para protegerse a sí mismo y a otras personas que puedan verse involucradas. El sistema puede tener un tamaño y un peso considerables, por lo que la preparación y la planificación adecuadas son importantes para evitar lesiones personales a uno mismo y a terceros. Esto es incluso más importante cuando los sistemas se instalan en la parte superior del rack.



PRECAUCIÓN: no instale componentes del kit de rack diseñados para otro sistema. Utilice únicamente el kit de rack para su sistema. Si utiliza un kit de rack para otro sistema, pueden producirse daños en el sistema y lesiones personales.

Requisitos del rack para VersaRails



AVISO: el kit de rack VersaRails lo deben montar únicamente técnicos de servicio cualificados en un rack que cumpla las especificaciones siguientes: CEA-310-E, IEC 297 y DIN 41494. Se precisa un kit de rack para cada sistema que se instale en el rack.

Pies estabilizadores del rack



PRECAUCIÓN: antes de instalar sistemas en un rack, instale los estabilizadores frontales y laterales para racks individuales, o bien los estabilizadores frontales para varios racks unidos. Si no se instalan estabilizadores antes de realizar el montaje de los sistemas, el rack puede volcarse, y ello puede producir lesiones personales. Por lo tanto, instale siempre los estabilizadores antes de instalar los componentes en el rack.

Los pies estabilizadores ayudan a evitar que vuelque el rack. Consulte la documentación que se facilita con el armario rack para obtener instrucciones sobre la instalación y la fijación de los pies estabilizadores.

Tareas de instalación

La instalación de un kit de rack implica realizar las tareas siguientes en el orden indicado:

- 1 Extracción de las puertas del rack
- 2 Marcado del rack (en caso necesario)
- 3 Instalación de los ensamblajes de rieles en el rack
 - Instalación de RapidRails
 - Instalación de VersaRails
- 4 Instalación del sistema en el rack
- 5 Colocación y tendido de los cables de datos
 - Instalación de la barra liberadora de tensión
 - Uso de los enumeradores para cables de E/S
- 6 Colocación de las puertas del rack

Herramientas y material recomendados

- Un destornillador Phillips del n.º 2
- Cinta adhesiva o rotulador de punta de fieltro para marcar los orificios de montaje que se utilizarán
- Una regla o cinta métrica

Contenido del kit de rack RapidRails

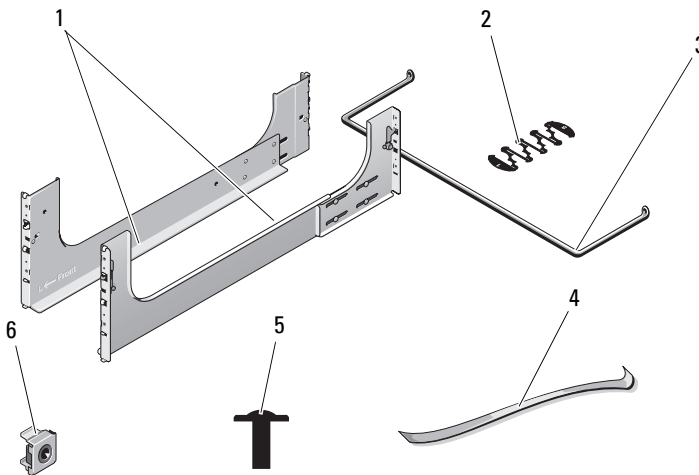
El kit de rack RapidRails incluye los elementos siguientes (vea la figura 1-1):

- Un par de ensamblajes RapidRails
- Una barra liberadora de tensión
- Tuercas prisioneras (2)
- Enumeradores para cables de E/S (12)
- Abrazaderas de velcro (15)
- Cuatro tornillos Phillips con arandela 10-32 x 0,5 pulgadas



NOTA: cada kit de rack contiene el número máximo de abrazaderas de velcro y de enumeradores para cables de E/S necesarios para contar con un sistema cargado por completo.

Figura 1-1. Contenido del kit de rack RapidRails




1	Ensamblajes RapidRails	2	Enumeradores para cables de E/S (12)	3	Barra liberadora de tensión
4	Abrazaderas de velcro (15)	5	Tornillos Phillips con arandela 10-32 x 0,5 pulgadas (4)	6	Tuercas prisioneras (2)

Contenido del kit de rack VersaRails

El kit de rack VersaRails incluye los elementos siguientes (vea la figura 1-2):

- Un par de ensamblajes VersaRails
- Una barra liberadora de tensión
- Tuercas de jaula (2)
- Enumeradores para cables de E/S (12)
- Abrazaderas de velcro (15)
- Doce tornillos Phillips con arandela 10-32 x 0,5 pulgadas

 **NOTA:** cada kit de rack contiene el número máximo de abrazaderas de velcro y de enumeradores para cables de E/S necesarios para contar con un sistema cargado por completo.


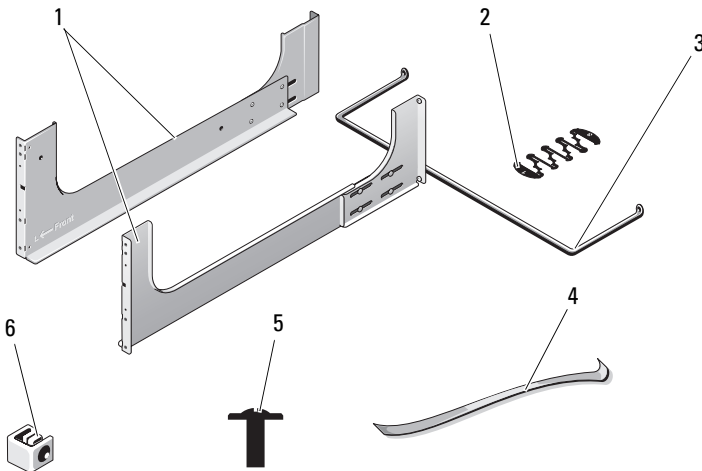
 **NOTA:** en este documento los tornillos no métricos se identifican por el tamaño y el número de roscas por pulgada. Por ejemplo, un tornillo Phillips del n.º 10 con 32 roscas por pulgada se identifica como un tornillo 10-32.

Figura 1-2. Contenido del kit de rack VersaRails



1	Ensamblajes VersaRails	2	Enumeradores para cables de E/S (12)	3	Barra liberadora de tensión
4	Abrazaderas de velcro (15)	5	Tornillos Phillips con arandela 10-32 x 0,5 pulgadas (12)	6	Tuercas de jaula (2)

Extracción de las puertas del rack


Para extraer las puertas, consulte los procedimientos correspondientes en la documentación suministrada con el armario rack.


 **PRECAUCIÓN:** debido al tamaño y el peso de las puertas del armario rack, nunca debe intentar montarlas ni desmontarlas una sola persona.

 **PRECAUCIÓN:** guarde las dos puertas en un lugar en el que no puedan lesionar a nadie en caso de caer accidentalmente.

Marcado del rack

Debe dejar 10 U (44,45 cm) de espacio vertical para cada sistema que monte en el rack (vea la figura 1-3).

 **NOTA:** en caso de que el rack ya esté marcado, no es necesario realizar este procedimiento.

 **PRECAUCIÓN:** si va a instalar más de un sistema, instale los ensamblajes de rieles de modo que el primer sistema quede instalado en la posición más baja disponible en el rack.

- 1 Coloque una marca en los rieles verticales frontales en que desee colocar la parte inferior del sistema que está instalando en el armario rack.

La parte inferior de cada espacio 1 U se encuentra en el centro de la zona metálica más estrecha entre orificios (marcados con una línea horizontal en algunos armarios rack; vea la figura 1-3).

Figura 1-3. Una unidad de rack



- 2 Coloque una marca en los rieles verticales frontales del rack con un rotulador de punta de fieltro o cinta adhesiva aproximadamente 44,45 cm por encima de la marca original (o cuente 30 orificios en un rack que cumpla los estándares CEA-310-E). Si ha contado orificios, realice una marca justo por encima del orificio superior. Esta marca o trozo de cinta indica dónde se va a situar el borde superior del sistema en los rieles verticales (vea la figura 1-4).

Figura 1-4. Marcado de los rieles verticales



1 Cinta en los rieles verticales

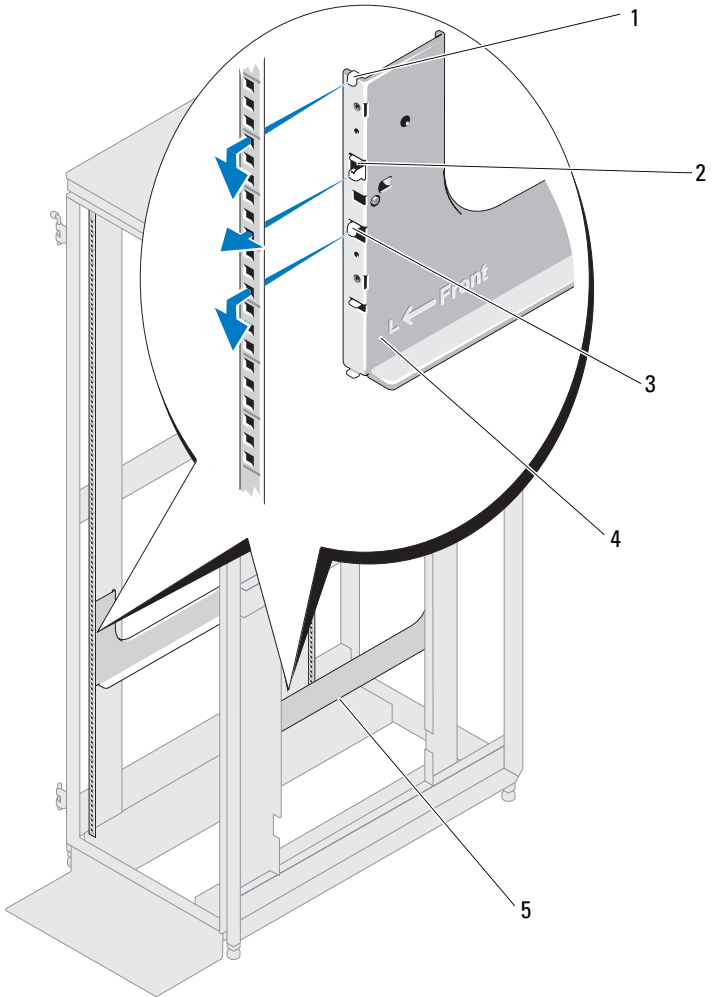
Montaje de los ensamblajes RapidRails

- 1** En la parte frontal del armario rack, coloque uno de los ensamblajes RapidRails de modo que la superficie de montaje del soporte encaje en el sitio adecuado del rack (vea la figura 1-5).
La lengüeta de montaje inferior de la superficie de montaje del soporte delantero del ensamblaje de rieles debe entrar en el décimo orificio desde la marca inferior realizada en los rieles verticales (vea la figura 1-5).
- 2** Empuje el ensamblaje de rieles hacia delante hasta que la lengüeta de montaje superior entre en el orificio cuadrado situado 4 U por debajo de las marcas superiores o la cinta colocados en el riel vertical (vea la figura 1-5).
- 3** A continuación, presione hacia abajo la superficie de montaje del soporte hasta que las lengüetas de montaje encajen en los orificios cuadrados y el pulsador se expulse y se oiga un clic (vea la figura 1-5).
- 4** En la parte posterior del armario, tire hacia atrás de la superficie de montaje del soporte hasta que las lengüetas de montaje encajen en los orificios correspondientes y, a continuación, empuje hacia abajo la superficie hasta que las lengüetas de montaje queden encajadas en los orificios cuadrados y se expulse el pulsador (se oirá un clic).
- 5** Repita del paso 1 al paso 4 para el ensamblaje de rieles en el otro lado del rack.



NOTA: compruebe que los rieles estén montados en la misma posición vertical en ambos lados del rack.

Figura 1-5. Instalación de los ensamblajes RapidRails



Parte frontal del rack

- | | | | | | |
|---|--|---|---------------------------|---|------------------------------|
| 1 | Lengüeta de montaje superior | 2 | Pulsador | 3 | Lengüeta de montaje inferior |
| 4 | Superficie de montaje del soporte del ensamblaje de rieles | 5 | Ensamblajes de rieles (2) | | |

Instalación de los ensamblajes VersaRails

- 1 En la parte frontal del armario rack, coloque un ensamblaje VersaRails de forma que la superficie de montaje del soporte encaje entre las marcas o la cinta colocada (o la ubicación numerada) en el rack (vea la figura 1-6).

Los orificios de la parte frontal de la superficie de montaje deben estar alineados con los orificios situados entre las marcas realizadas en el riel vertical frontal.



NOTA: los VersaRails sólo ocupan las 6 U inferiores del espacio de 10 U que se necesita para este sistema.

- 2 Localice el orificio de montaje redondo indicado por el recorte en forma de flecha del VersaRails (vea la figura 1-6).
- 3 Monte dos tornillos Phillips con arandela 10-32 x 0,5 pulgadas en la superficie de montaje frontal para fijar el ensamblaje de rieles al riel vertical frontal. Vea la figura 1-6.
 - El tornillo de montaje superior se debe instalar en el orificio redondo central del sexto espacio U contando desde la parte inferior del espacio 10 U.
 - El tornillo de montaje inferior se debe instalar en el orificio redondo central del primer espacio U contando desde la parte inferior.



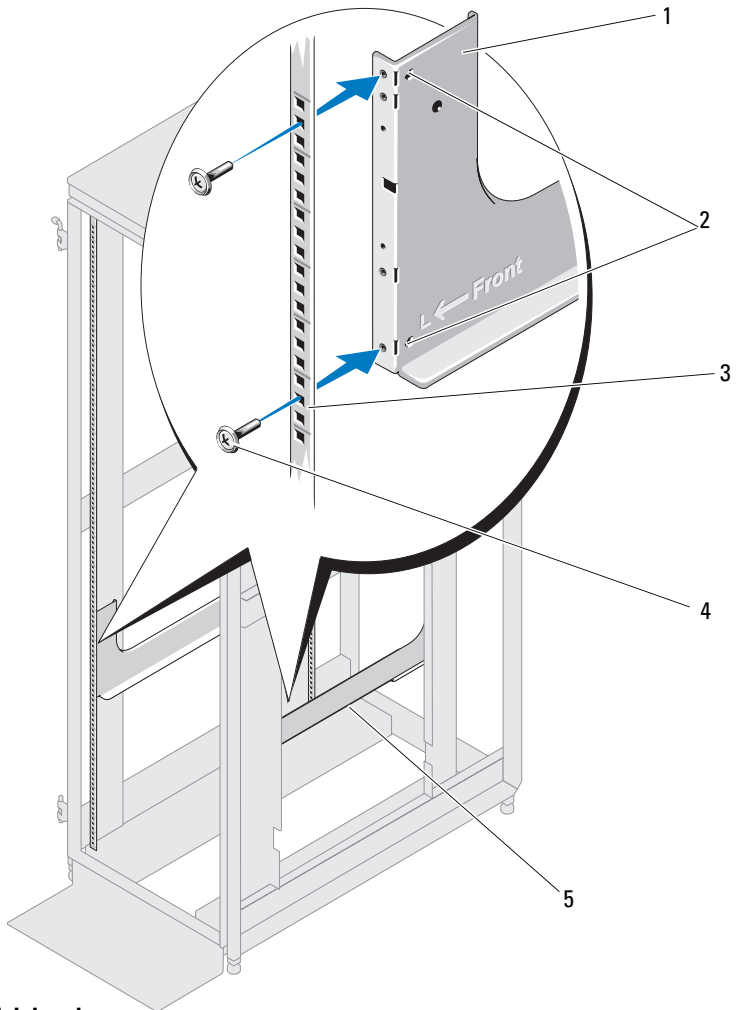
NOTA: los dos orificios redondos de la sección central del VersaRails sirven para fijar el sistema al rack. Para ensamblar el VersaRails, utilice únicamente los orificios redondos indicados por los dos recortes en forma de flecha (vea la figura 1-6).

- 4 En la parte posterior del armario, deslice hacia atrás la superficie de montaje del soporte hasta que los orificios de montaje se alineen con los orificios correspondientes en el riel vertical posterior.
- 5 Monte dos tornillos Phillips con arandela 10-32 x 0,5 pulgadas en la superficie de montaje posterior para fijar el ensamblaje de rieles al riel vertical posterior.
- 6 Repita del paso 1 al paso 5 para el ensamblaje de rieles en el otro lado del rack.



NOTA: compruebe que los rieles estén montados en la misma posición vertical en ambos lados del rack.

Figura 1-6. Montaje de los ensamblajes de rieles VersaRails



Parte frontal del rack

- | | | | | | |
|---|--|---|---------------------------------|---|-------------------|
| 1 | Superficie de montaje del soporte del ensamblaje de rieles | 2 | Recortes en forma de flecha (2) | 3 | Rieles verticales |
| 4 | Tornillos Phillips (2) | 5 | Ensamblajes de rieles (2) | | |

Instalación del sistema en el rack

-  **PRECAUCIÓN:** si va a instalar más de un sistema, instale el primero en la posición más baja disponible en el rack.
 -  **PRECAUCIÓN:** no extraiga del rack más de un componente a la vez.
 -  **PRECAUCIÓN:** debido al tamaño y el peso del sistema, no intente nunca montar el sistema en el rack sin ayuda.
 -  **PRECAUCIÓN:** se recomienda levantar el sistema con al menos la ayuda de otra persona.
 -  **AVISO:** se recomienda utilizar una mesa elevadora para instalar el sistema en el rack, especialmente si los ensamblajes de rieles están por encima de la altura de su cintura.
 -  **AVISO:** al levantar e instalar el sistema en el rack, evite sujetar el módulo LCD de la parte frontal del sistema, ya que es una parte frágil. Vea la figura 1-7.
 -  **NOTA:** si va a transportar un sistema que ya está instalado en el rack, compruebe que los dos soportes de montaje estabilizadores del rack se encuentren en su lugar.
 - Localice los orificios inferiores para tuercas remachadas de ambos lados del rack situados justo debajo de la posición predeterminada para la barra liberadora de tensión.
 - Para identificar la posición predeterminada de la barra liberadora de tensión y los puntos de fijación de los soportes de montaje estabilizadores, vea la figura 1-8.
- 1 Extraiga todos los módulos de alta densidad, módulos posteriores, fuentes de alimentación y ventiladores antes de instalar el sistema en el rack.
 - 2 Eleve el sistema hasta la altura necesaria para instalarlo en el rack.
Se recomienda levantar el sistema con al menos la ayuda de otra persona.
 - 3 Inserte el sistema en el rack y apóyelo en los ensamblajes de rieles (vea la figura 1-7).
 - 4 Apriete los tornillos mariposa del panel frontal del chasis.
 - 5 Vuelva a instalar los módulos de alta densidad, los módulos posteriores, las fuentes de alimentación y los ventiladores.

Figura 1-7. Instalación del sistema en el rack



- | | | | | | |
|---|------------------------|---|------------|---|---------------------------|
| 1 | Tornillos mariposa (4) | 2 | Módulo LCD | 3 | Ensamblajes de rieles (2) |
|---|------------------------|---|------------|---|---------------------------|

Colocación y tendido de cables

Para mejorar la facilidad de reparación y el flujo de aire del sistema, siga las pautas indicadas en los procedimientos siguientes para tender y administrar la configuración de cableado del sistema. Este sistema incluye los componentes siguientes para el tendido de cables:

- Una barra liberadora de tensión y abrazaderas de velcro, que mantienen el área de la parte posterior del sistema lo más despejada posible de cables y permiten mover grupos de cables en caso de ser necesario extraer módulos (vea la figura 1-8).
- Un enumerador para cables de E/S, que mantiene la secuencia de cables en el orden en el que están conectados al sistema. Mantener intactas las conexiones de cables facilita la extracción y colocación de módulos de E/S (vea la figura 1-9).

Instalación de la barra liberadora de tensión



NOTA: Dell recomienda instalar la barra liberadora de tensión en la parte posterior del sistema y utilizar las abrazaderas de velcro con esta barra para tender los cables y liberar al máximo la tensión de todas las configuraciones de cableado.



NOTA: si va a instalar sistemas en un rack y a colocar los cables desde la parte superior del rack, instale cada barra liberadora de tensión en la posición predeterminada para todos los sistemas excepto para el sistema inferior del rack. Instale la barra liberadora de tensión suministrada con el sistema en uno de los espacios U de la parte superior del rack para facilitar el tendido de los cables al pasarlos desde la parte superior de los sistemas instalados. Si está instalando sistemas y va a colocar cables únicamente desde la parte inferior del rack, todas las barras liberadoras de tensión deben montarse en sus posiciones predeterminadas correspondientes. En la figura 1-8 y la figura 1-9 puede ver ejemplos de cables colocados por encima y por debajo del sistema.

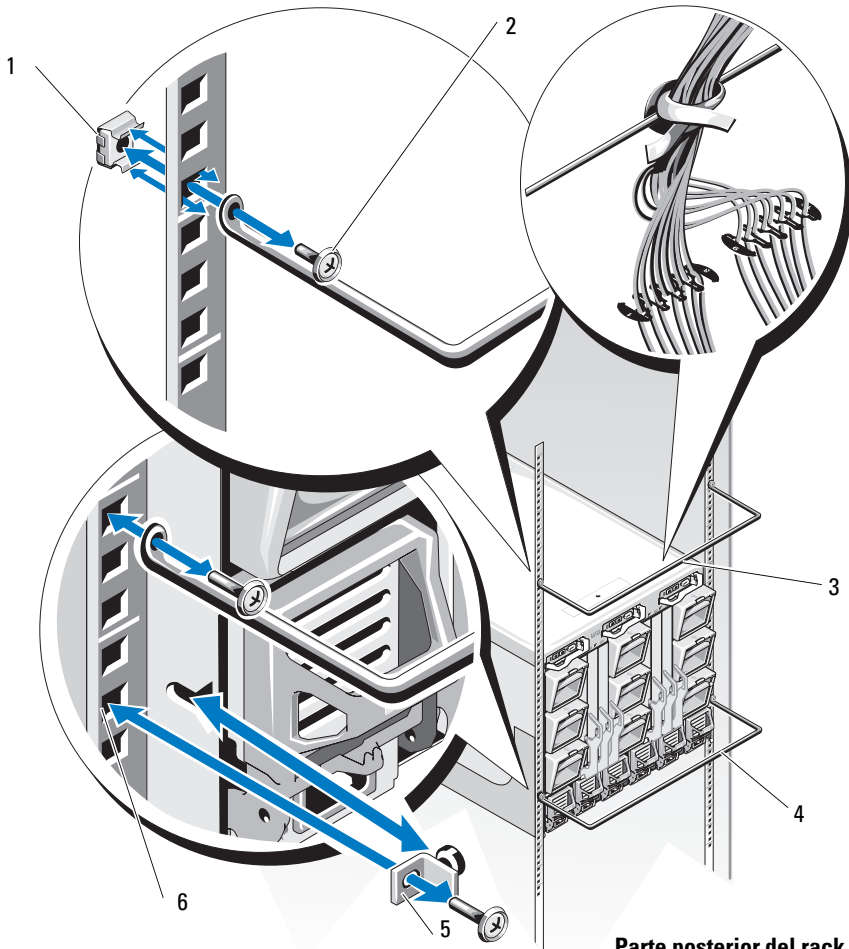
- 1 Antes de conectar los cables al sistema, localice la barra liberadora de tensión y los tornillos de montaje correspondientes incluidos con el sistema (vea la figura 1-1 y la figura 1-2).



NOTA: si va a instalar la barra liberadora de tensión en la posición opcional por encima del sistema, necesitará dos tuercas prisioneras para instalarla en la parte posterior del riel en cada punto de fijación (vea la figura 1-8).

- 2 En la parte posterior del sistema, en los rieles verticales izquierdo y derecho, localice el tercer espacio U desde el extremo inferior del sistema. Cada espacio U abarca tres orificios. Instale la barra liberadora de tensión preterminada en el orificio superior cincelado del espacio U (orificio para tuercas remachadas). Vea la figura 1-8.

Figura 1-8. Instalación de la barra liberadora de tensión




Parte posterior del rack


- | | | | | | |
|---|---|---|--|---|--|
| 1 | Tuerca prisionera (2) | 2 | Tornillo de montaje (2) | 3 | Barra liberadora de tensión opcional (para el cableado hacia arriba) |
| 4 | Posición predeterminada de la barra liberadora de tensión | 5 | Soporte de transporte para estabilización del rack | 6 | Tuerca remachada inferior del soporte de transporte para estabilización del rack |

- 3 Antes de conectar los cables a sus respectivos conectores, consulte las instrucciones incluidas en “Conexión y agrupación de cables” en la página 135 y vea la figura 1-9.

Conexión y agrupación de cables


 **AVISO:** asegúrese de que todos los grupos de cables que conecta se extiendan en cascada por encima de la barra liberadora de tensión, para aumentar al máximo el flujo de aire y la facilidad de reparación del sistema.

- 1 Cree distintos grupos de cables para cada agrupación lógica de un máximo de ocho cables de E/S o cables de alimentación (vea la figura 1-9).
- 2 Conecte los cables de E/S superiores, organizándolos de manera que se extiendan en cascada por encima de la barra liberadora de tensión en una fila ordenada comenzando por el conector superior del grupo (vea la figura 1-9).
- 3 Puede tender y organizar los cables mediante los pasos descritos en “Uso de los enumeradores para cables de E/S” en la página 135 antes de utilizar las abrazaderas de velcro para fijar los grupos de cables a la barra liberadora de tensión.

 **NOTA:** en la figura 1-9 se muestra una configuración de sistema cargado por completo. Si va a tender un gran número de cables, pruebe a identificar primero cada grupo de cables, colocar los enumeradores y unir cada grupo de cables mediante las abrazaderas de velcro.

Uso de los enumeradores para cables de E/S

- 1 Localice los enumeradores para cables de E/S incluidos con el sistema (vea la figura 1-1 y la figura 1-2). El objetivo del enumerador es mantener ordenada e intacta la secuencia de conectores y cables a fin de facilitar la extracción y colocación de los módulos del sistema.
- 2 Para cada grupo de ocho cables, seleccione el lado con los números uno y ocho. Para un grupo de 16 cables, necesitará dos enumeradores con los números 1 y 8, y 9 y 16 (vea la figura 1-9).

 **NOTA:** todos los enumeradores tienen los números 1 y 8 en un lado, y los números 9 y 16 en el otro lado. Necesitará un enumerador para un conjunto de ocho cables y dos enumeradores para un conjunto de 16 cables.

- 3 Oriente el enumerador horizontalmente para conectar todos los cables en cascada directamente por encima del punto de contacto con la barra liberadora de tensión (vea la figura 1-9).
- 4 Localice las tres muescas en cada segmento del enumerador. Cada enumerador puede admitir una secuencia de ocho cables con uno de los tres grosores previstos de cable. Por ejemplo, los cables de datos grandes encajan en la muesca más grande del segmento, y los cables de fibra óptica pequeños encajan en la muesca más pequeña del segmento (vea la figura 1-9).
- 5 Identifique el tamaño de la muesca para cables del enumerador y encaje todos los cables del grupo. Organice los cables en el mismo orden en el que se conectan al sistema. Por ejemplo, si tiene una columna de ocho cables, encaje el cable superior en el primer segmento, y así sucesivamente. Vea la figura 1-9.



NOTA: según la configuración del cableado, puede agrupar y ordenar los cables de distintas maneras mientras no agrupe ni conecte más de ocho cables a cada enumerador.

En la figura 1-9 se muestran 16 cables agrupados y ordenados mediante dos enumeradores: uno con los ocho cables superiores de ambas columnas y el otro con los ocho cables inferiores de ambas columnas. En el caso de este mismo ejemplo, también puede agrupar y ordenar todas las columnas de ocho cables (no representadas).

Fijación de los cables a la barra liberadora de tensión

- 1 Localice las abrazaderas de velcro incluidas con el sistema (vea la figura 1-1 y la figura 1-2).
- 2 Sitúese frente a la parte posterior del sistema y coloque la abrazadera sobre el grupo de cables para conectarlo a la barra liberadora de tensión (vea la figura 1-9).



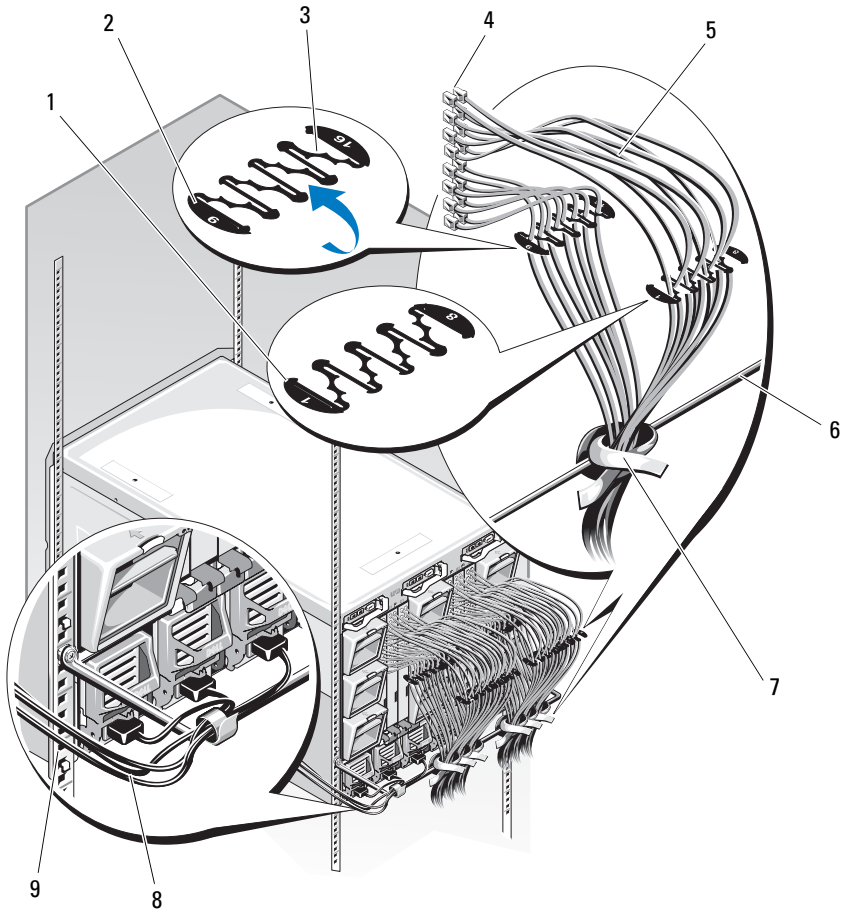
NOTA: según la configuración del sistema, existen varias formas de enrollar los cables y fijar los grupos de cables a la barra liberadora de tensión mediante las abrazaderas de velcro.

- 3 Para fijar los cables a la barra, enrolle el grupo de cables pasando la abrazadera alrededor de la parte posterior de la barra y, de nuevo, alrededor del grupo de cables, cruzando la abrazadera por delante de los cables (vea la figura 1-9).
- 4 Los cables deben enrollarse de la manera más segura posible para que se mantengan agrupados y, a su vez, puedan deslizarse en la barra liberadora de tensión. Este paso garantiza que los grupos de cables se puedan mover con facilidad sin contacto con los módulos de E/S durante la extracción y la instalación.



NOTA: asegúrese de fijar todos los cables de alimentación tendidos desde ambos lados del sistema a la barra liberadora de tensión con las abrazaderas de velcro, como se muestra en la figura 1-9. Consulte la *Guía de introducción* para obtener instrucciones sobre cómo conectar el gancho de retención del cable de alimentación, que proporciona una liberación de tensión adicional al sistema.

Figura 1-9. Fijación de los cables al rack



- | | | | | | |
|---|---|---|--|---|-------------------------------------|
| 1 | Enumerador para cables de E/S (segmentos 1-8) | 2 | Enumerador para cables de E/S (segmentos 9-16) | 3 | Muecas para cables (3 por segmento) |
| 4 | Conectores de los cables de fibra óptica (16) | 5 | Cables de fibra óptica (16) | 6 | Barra liberadora de tensión |
| 7 | Abrazaderas de velcro (15) | 8 | Cables de alimentación | 9 | Riel vertical |

Colocación de las puertas del rack

Para colocar las puertas, consulte los procedimientos correspondientes en la documentación suministrada con los armarios rack.

Con esto se completa la instalación del rack en el sistema.

Índice

B

barra liberadora de tensión, 136
instalar, 132

C

cable
agrupar, 135
barra liberadora
de tensión, 136
colocar, 132
conexiones, 135
fijar, 136
tender, 132
cables de E/S, enumeradores, 135
colocar cables, 132
contenido del kit
RapidRails, 121
VersaRails, 122

E

enumeradores
cable, 135

H

herramientas y material
kits de cuatro postes, 120

I

instalar
sistema en el rack, 130
instrucciones de seguridad, 117

M

marcar el rack, 123, 130

P

pies estabilizadores, 120
precauciones para el montaje
del rack, 119
puertas
colocar, 139
extraer, 123

R

rack

 marcar, 123, 130

rack, pies estabilizadores, 120

RapidRails, contenido del kit, 121

requisitos del rack para

 VersaRails, 119

T

tender cables, 132

V

VersaRails

 contenido del kit, 122